



Safe Catalogue



Safes



- **SECURITY SAFE**
- **VALUE SAFE**
- **ELITE SAFE**
- **CASH BOX**
- **KEY BOX**

At Yale we've been looking after people's homes and their favorite things for over two hundred years. We understand that the truest form of security is the freedom to enjoy living life to the full, without worry.

The New Yale Safe Collection has been designed to provide just that. As one of the world's best known, and preferred, leading lock brands we follow our mission to help consumers live more carefree lives. So we have combined the latest technologies and materials with centuries of experience to create safes that meet the most demanding requirements.



Security Safe Home Safe Box

Security Safe

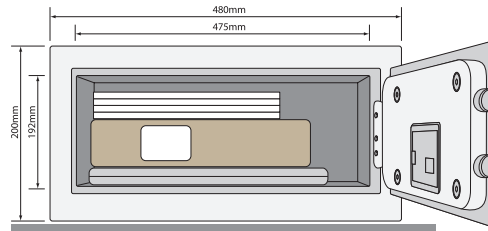
Economic option of security digital safes for good burglary protection.

- Locking System** | 6 Lever Double - Bitted override locking system
- Battery** | 4 x AA Size (1.5V x 4)
- Finishes** | Matt black faceplate
Powder coated interior
- Mounting** | Wall Mount
- Key System** | Key Override Function
- No of Key** | 2

YLB/200/EB1

Security Safe Laptop

- Exterior Dimensions** | 200 (H) x 480 (W) x 350 (D) mm
- Interior Dimensions** | 192 (H) x 475 (W) x 295 (D) mm
- Net Weight** | 14kg
- Quantity / Ctn** | 1





Security Safe Home Safe Box

Security Safe

Economic option of security digital safes for good burglary protection.

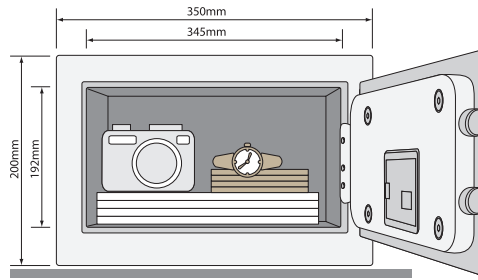
- Locking System** | 6 lever double - bitted override locking system
- Battery** | 4 x AA Size (1.5V x 4)
- Finishes** | Matt black faceplate
Powder coated interior
- Mounting** | Wall Mount
- Key System** | Key Override Function
- No of Key** | 2



YSB/200/EB1

Security Safe Compact

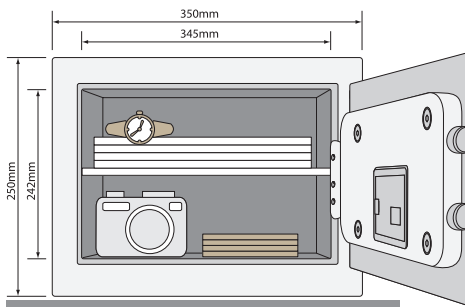
- Exterior Dimensions** | 200 (H) x 350 (W) x 200 (D) mm
- Interior Dimensions** | 192 (H) x 345 (W) x 145 (D) mm
- Net Weight** | 9kg
- Quantity / Ctn** | 1



YSB/250/EB1

Security Safe Home

- Exterior dimensions** | 250 (H) x 350 (W) x 300 (D) mm
- Interior dimensions** | 242 (H) x 345 (W) x 245 (D) mm
- Net weight** | 13kg
- Quantity / Ctn** | 1





Value Safe Home Safe Box

Value Safe - The most valued model with simple & clean panel design
- Good quality entry point digital safe product

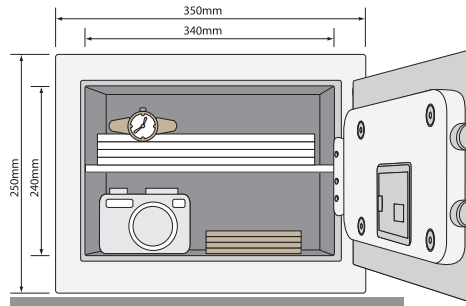
- Locking System** | 16mm steel locking bolts
- Battery** | 4 x AA Size (1.5V x 4)
- Protection** | Time lock sets in wrong code is entered more than 3 times
- Mounting** | Wall Mount
- Key System** | Key Override Function
- No of Key** | 2



YSV/250/DB1

Value Safe

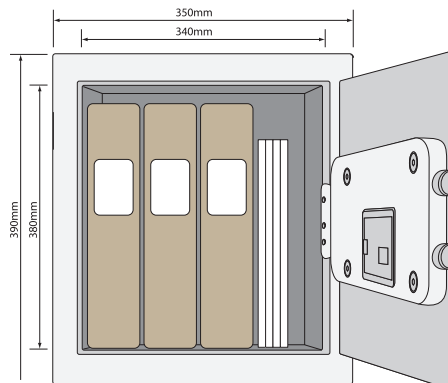
- Exterior Dimensions** | 250 (H) x 350 (W) x 250 (D) mm
- Interior Dimensions** | 240 (H) x 340 (W) x 200 (D) mm
- Net Weight** | 8kg
- Quantity / Ctn** | 1



YSV/390/DB1

Value Safe

- Exterior Dimensions** | 390 (H) x 350 (W) x 360 (D) mm
- Interior Dimensions** | 380 (H) x 340 (W) x 310 (D) mm
- Net Weight** | 14kg
- Quantity / Ctn** | 1





Elite Safe Home Safe Box

Elite Safe - Excellent value to price motorized digital safe
- Prefect choice at middle range digital safe

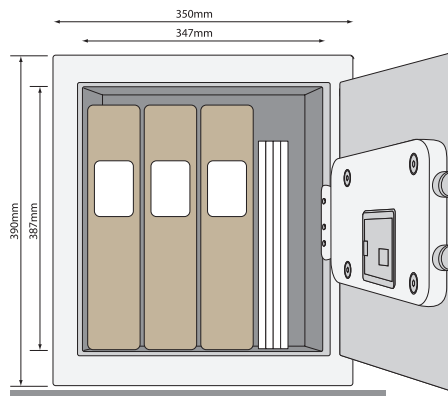
- Locking System** | Motorized bolts, high quality zinc plated steel bolts
- LED Display** | 3-6 digitals combination
- Battery** | 4 x AA Size (1.5V x 4)
- Mounting** | Wall Mount
- Key System** | Key Override Function
- No of Key** | 2



YSEL/390/EG7-DG

Elite Safe

- Exterior Dimensions** | 390 (H) x 350 (W) x 360 (D) mm
- Interior Dimensions** | 387 (H) x 347 (W) x 305 (D) mm
- Net Weight** | 14.3kg
- Quantity / Ctn** | 1





Cash Box Mini Safe Box

Cash Box

Yale cash box is a friendly helper for home, small business, office & clubhouse



YCB/080/BB2

Small Cash Box

Exterior Dimensions | 80 (H) x 152 (W) x 118 (D) mm

Net Weight | 0.6kg

Features and Benefit | -Handy carry handle
-Inside with plastic tray
-Cylinder lock
-Come with 2 keys

Quantity / Ctn | 6 pcs

YCB/090/BB2

Medium Cash Box

Exterior Dimensions | 90 (H) x 200 (W) x 160 (D) mm

Net Weight | 0.9kg

Features and Benefit | -Handy carry handle
-Inside with plastic tray
-Cylinder lock
-Come with 2 keys

Quantity / Ctn | 6 pcs



YKB/200/BB2

Key Box

Exterior Dimensions | 80 (H) x 200 (W) x 160 (D) mm

Net Weight | 0.9kg

Features | Wall Mount

Quantity / Ctn | 6 pcs

YKB/200/CB2

Key Box

Exterior Dimensions | 80 (H) x 200 (W) x 160 (D) mm

Net Weight | 0.9kg

Features | Wall Mount

Quantity / Ctn | 6 pcs

YKB/540/BB2

Key Box

Exterior Dimensions | 80 (H) x 300 (W) x 240 (D) mm

Net Weight | 2kg

Features | Wall Mount

Quantity / Ctn | 6 pcs

YKB/540/CB2

Key Box

Exterior Dimensions | 80 (H) x 300 (W) x 240 (D) mm

Net Weight | 2kg

Features | Wall Mount

Quantity / Ctn | 6 pcs





Yalehome.com

ASSA ABLOY Opening Solutions

Malaysia Sdn Bhd

Level 1, East Wing, Wisma Consplant 1
No 2, Jalan SS16/4
47500 Subang Jaya
Selangor, Malaysia
Tel: +60 3 5651 7800
Fax: +60 3 5613 3889
yalehome.com/my
info@yale.com.my

PT ASSA ABLOY Indonesia

Unit 316, 3rd Floor,
Marga Guna Grand
Jl Marga Guna Raya
No 9, Pondok Indah
Jakarta, 12420 Indonesia
Tel: +62 21 720 6884
Fax: +62 21 720 6874
yalehome.com.sg
info.id@assaabloy.com

ASSA ABLOY Philippines Inc

Unit A Ground Floor, Suntree Tower
#13 Meralco Ave. Ortigas Center
Brgy. San Antonio
Pasig City, 1605 Manila
Philippines
Tel: +63 2 8564 6615
yalehome.com/ph
info.ph@assaabloy.com

ASSA ABLOY Singapore Pte Ltd

#08-08 Siemens Center Blk 1
60 MacPherson Road
348615 Singapore
Tel: +65 6880 0000
Fax: +65 6880 0500
yalehome.com/sg
sales.aasg@assaabloy.com

ASSA ABLOY Vietnam

20th Floor, 2Bis-4-6
Le Thanh Ton St
Ben Nghe Ward, Dist 1,
Ho Chi Minh City
Tel: +84 28 2249 8833
yalehome.com/vn
info.vn@assaabloy.com

ASSA ABLOY (Thailand) Ltd

1919, 5th Floor
Preecha Group Building
Pattanakarn Road, Suan Luang
Bangkok, 10250 Thailand
Tel: +66 2 722 7371
Fax: +66 2 722 7375
yale.co.th
info.th.opening@assaabloy.com

ASSA ABLOY Hong Kong Ltd

16th Floor, Excel Centre,
483A Castle Peak Road
Cheung Sha Wan, Kowloon
Hong Kong
Tel: +852 2260 0888
Fax: +852 2686 8682
yalehome.com/hk
sales.hk@assaabloy.com

ASSA ABLOY Taiwan

2F, No 217 Section 3,
Chengde Road
Datong District,
Taipei City 103
Taiwan (R.O.C)
Tel: +886 2 2586 0161
Fax: +886 2 2586 0171
yalehome.com/tw
sales.tw@assaabloy.com

Apple, the Apple logo and iPhone are trademarks of Apple Inc., registered in the U.S. and other countries and regions. App Store is a service mark of Apple Inc.
Google and Google Play are trademarks of Google LLC.
Google Assistant is not available in certain languages and countries.
For information on Amazon Alexa skills and country compatibility please refer to Amazon's website.
To control this HomeKit-enabled accessory, the latest version of iOS or iPadOS is recommended.

Trusted every day

Part of ASSA ABLOY