

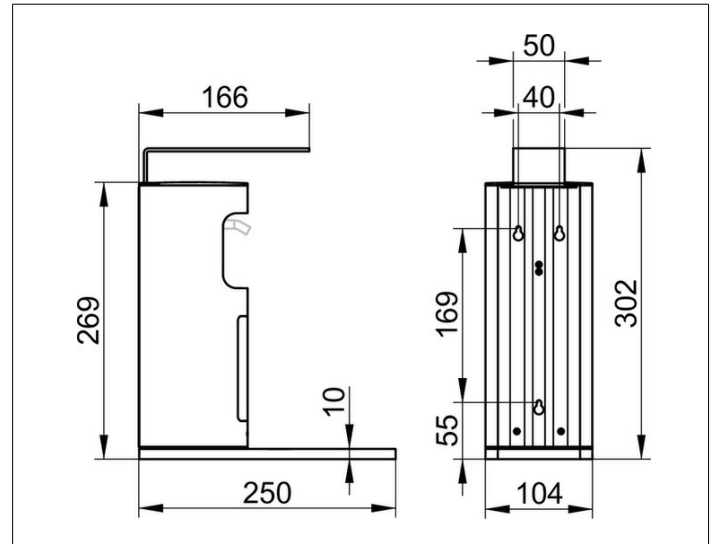
**Plan Care**

**34954370100 Liquid soap/disinfectant dispenser**

**PRODUCT**



**DRAWING**



**PRODUCT ATTRIBUTES**

dispenser case for 0,5l Euronorm bottle with integrated pump  
(identical e.g. Bode Euronorm bottel 0,5 l Sterilium),  
with removable plastic drip tray

**SURFACE**

black