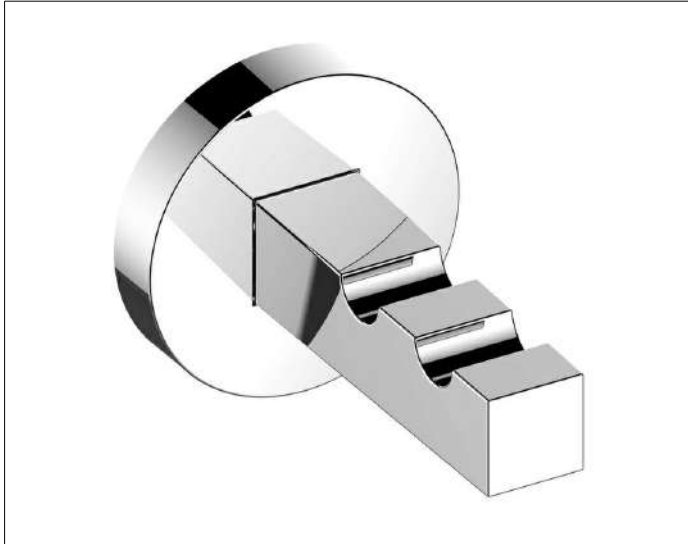


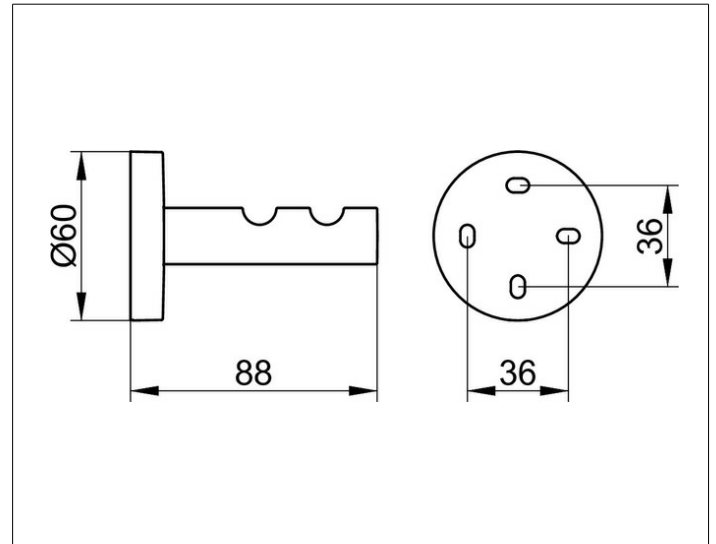
Edition 90

19015010000 Towel hook

PRODUCT



DRAWING



PRODUCT ATTRIBUTES

double

SURFACE

chrome-plated

SPECIFICATIONS

KEUCO EDITION 90 - Towel double hook - 19015010000

Clarity and basic geometric forms

Opulent Design - Design that impresses - Refines the bathroom

Width / ø : 60 mm - Height: 60 mm - Dimension: 88 mm

Material: Metal

Surface: chrome

The product can be screwed or glued - Concealed fastening - Including corrosion-free fastening material

Optional glue set

Glue set no. 2 - Art.no.glueset 4994000200

Articlenumber: 19015010000