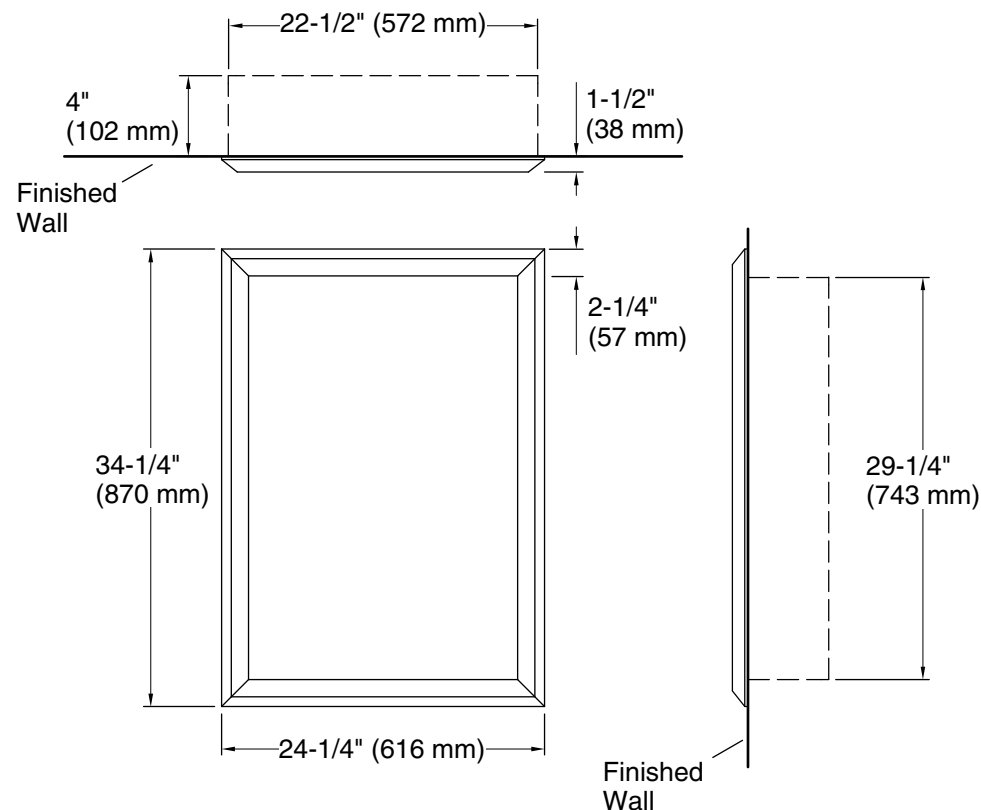


FEATURES

Medicine Cabinet

- 3 Glass shelves
- Recessed installation



ROUGHING-IN NOTES

Recommended height: Recommended install height is 43" (1092 mm) from base of cabinet to floor.

All dimensions are nominal.

SPECIFIED MODEL

Model	Description	Finishes
P74101-00	For Town Medicine Cabinet	<input type="checkbox"/> NA
P74102-00	For Town Mirror	<input type="checkbox"/> NA
Optional Accessory		
MTSK30D4	Mirrored Side Kit (Quantity 1 = Pair)	<input type="checkbox"/> Order from Robern®

We reserve the right to make revisions without notice in the design of products or in packaging unless this right has specifically been waived at the time the order is accepted.