

KALLISTA

Guise™ by KALLISTA
Wall Mount Widespread Sink Faucet, Lever
Handles
P34236-LV

Features

- High-quality metal construction for durability and reliability
- Widespread sink faucet for 8" – 16" (203 – 406 mm) centers
- 1.2 gpm (4.5 lpm) maximum flow rate
- Includes soft-touch drain
- Laminar flow
- Required rough-in sold separately

Required Products/Accessories

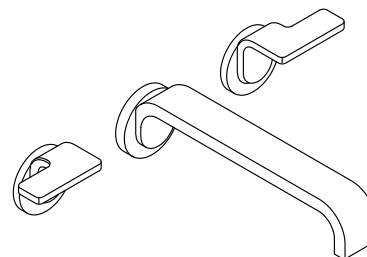
For wall-mount installation
P29304-00 Rough-In

Adapters, Rough-in and Extension Kits

1008162 Range: 2-1/2" (64 mm) -
3-1/2" (89 mm)

Recommended Products/Accessories

P34241-LV Single Control trim, lever handle



ADA

CSA B651

OBC

Codes/Standards

ASME A112.18.1/CSA B125.1

NSF/ANSI/CAN 61

NSF/ANSI/CAN 372

DOE - Energy Policy Act 1992

EPA WaterSense®

California Energy Commission (CEC)

ADA

ICC/ANSI A117.1

CSA B651

OBC

IAPMO Certification

**KALLISTA® Five-Year Limited
Warranty**

See website for detailed warranty
information.

1-888-4-KALLISTA (1-888-452-5547)

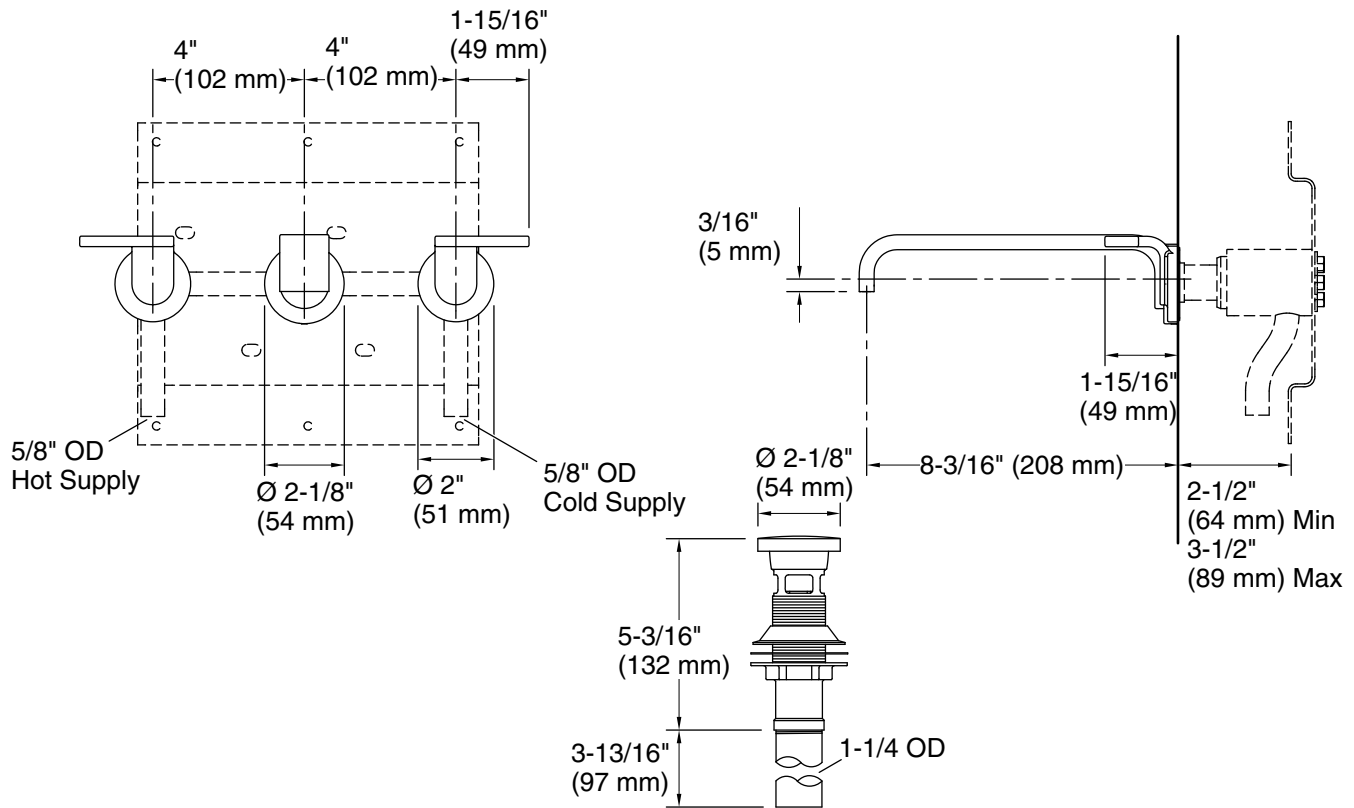
Kallista reserves the right to make revisions without notice to product specifications.

For the most current Specification Sheet, go to www.kallista.com.

8-22-2024 20:59 - US

KALLISTA

Guise™ by KALLISTA Wall Mount Widespread Sink Faucet, Lever Handles P34236-LV



Technical Information

All product dimensions are nominal.

Faucet:

Flow rate: 1.2 gal/min (4.5 l/min)

Pressure: 60 psi (4.1 bar)

Drain included: Yes

Drain with
overflow: Yes

Spout:

Spout reach: 8-1/4" (209 mm)

Notes

Install this product according to the installation guide.

ADA, OBC, CSA B651 compliant when installed to the specific requirements of these regulations.

1-888-4-KALLISTA (1-888-452-5547)

Kallista reserves the right to make revisions without notice to product specifications.

For the most current Specification Sheet, go to www.kallista.com.

8-22-2024 20:59 - US