

KALLISTA®

Citizen Oval Undercounter Basin

FEATURES

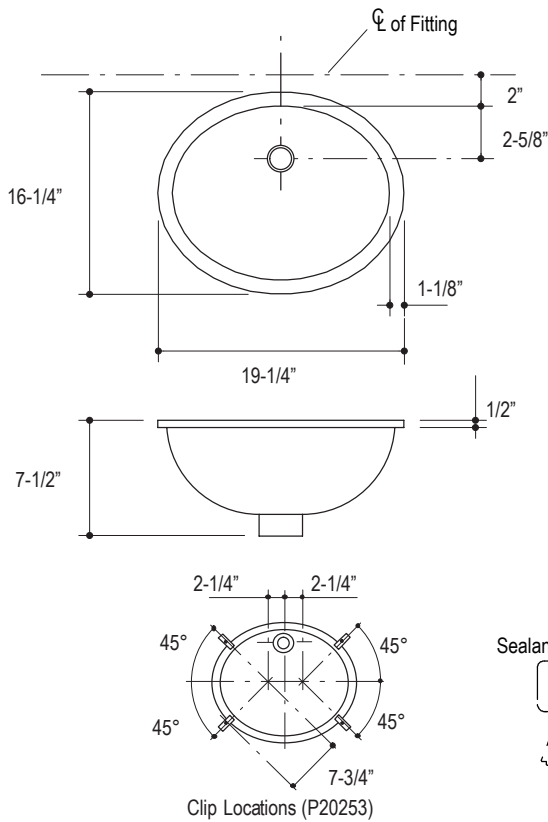
- Vitreous China
- Available with Overflow Only

CODES/STANDARDS APPLICABLE

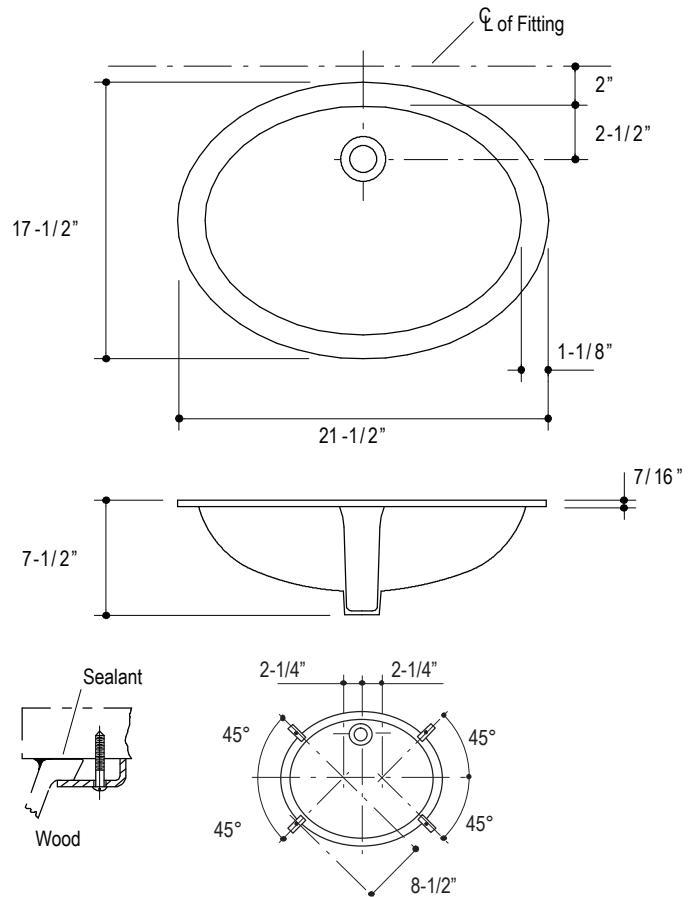
Specified Model Meets or Exceeds the Following:

- ASME A112.19.2 / CSA B45.1

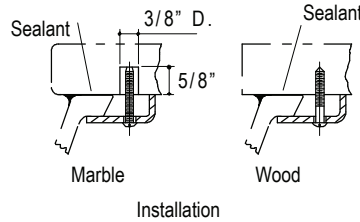
P20253, P20264



Clip Locations (P20253)



Clip Locations (P20264)



Installation

ROUGHING-IN NOTES

All Dimensions are Nominal.

Supplied Basin Clamp Assemblies Require 1" Minimum Countertop Thickness. Installer Must Supply Anchors for Thinner Countertops.

PRODUCT INFORMATION (P20253)

Fixture*:	Basin Area	Water Depth	
Lavatory	17" x 14"	4"	
Outlet	1-3/4" D		
* Approximate Measurements for Comparison Only			
Included Components:			
Basin Clamp Assembly			
Adhesive Sealant			
Cutout Template		116089-7	

PRODUCT INFORMATION (P20264)

Fixture*:	Basin Area	Water Depth	
Lavatory	19" x 15"	4"	
Outlet	1-3/4" D		
* Approximate Measurements for Comparison Only			
Included Components:			
Basin Clamp Assembly			
Adhesive Sealant			
Cutout Template		1024861-7-A	

SPECIFIED MODEL

Model	Description	Finishes	
P20253-00	Citizen Small Oval Undercounter Basin	<input type="checkbox"/> 0 Stucco White	<input type="checkbox"/> 96 Linen
P20264-00	Citizen Large Oval Undercounter Basin	<input type="checkbox"/> 0 Stucco White	<input type="checkbox"/> 96 Linen

We reserve the right to make revisions without notice in the design of products or in packaging unless this right has specifically been waived at the time the order is accepted.