

AXOR Citterio

Single lever basin mixer for concealed installation wall-mounted with pin handle, spout 160 mm and plate



Finish: **Chrome** Article Number: **39112000**

product features

- consists of: single lever basin mixer for concealed installation wall-mounted, waste set
- projection: 160 mm
- handle variant: pin handle
- spray type: normal spray
- maximum flow rate at 3 bar: 5 l/min
- ceramic cartridge
- suitable for continuous flow water heaters
- non-closing waste set
- connection type: basic set
- connection dimension: DN15
- handle can be positioned on the right or left, depending on the basic set installation
- EU taxonomy: max. 6 l/min - Substantial Contribution (SC) possible

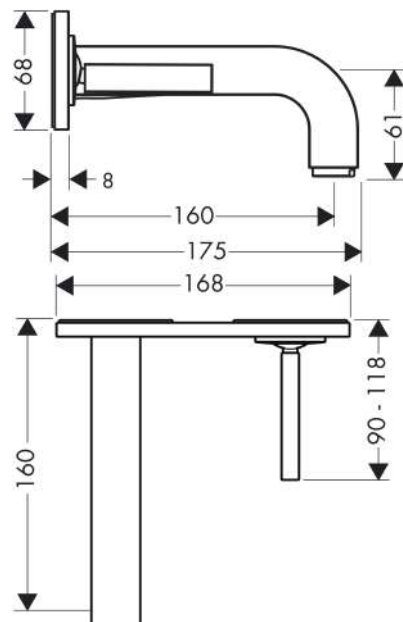
Technology



Product image



Scale drawing



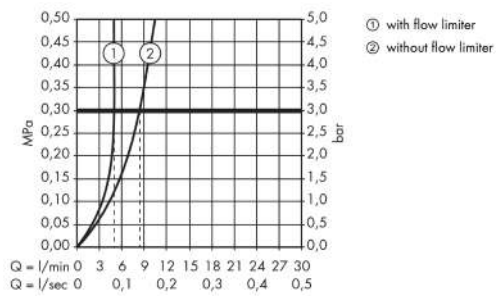
AXOR Citterio

Single lever basin mixer for concealed installation wall-mounted with pin handle, spout 160 mm and plate



Finish: **Chrome** Article Number: **39112000**

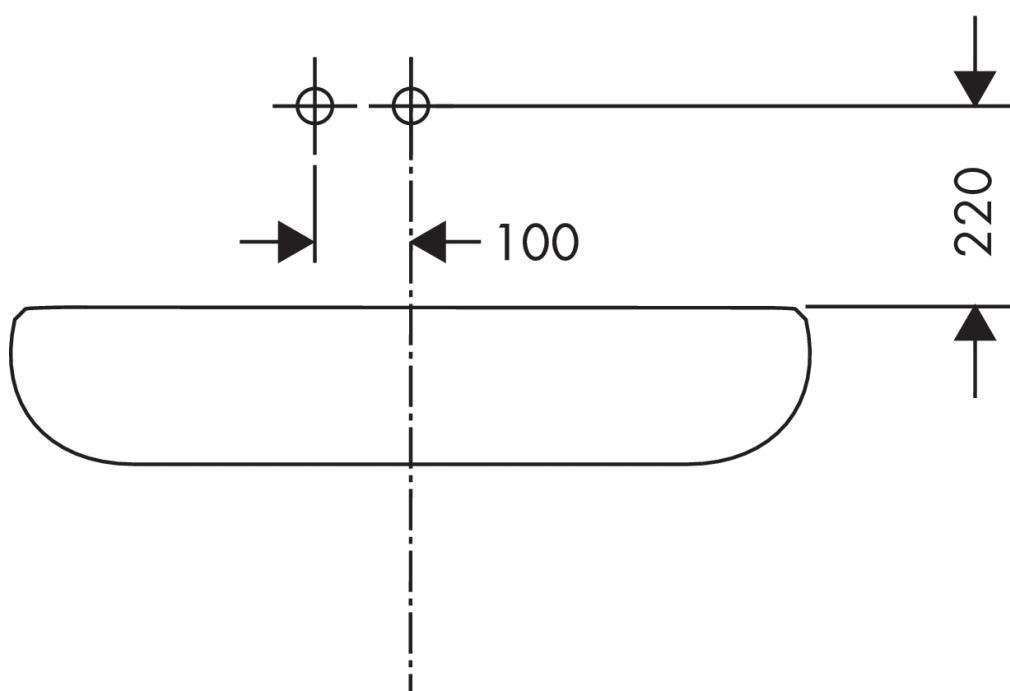
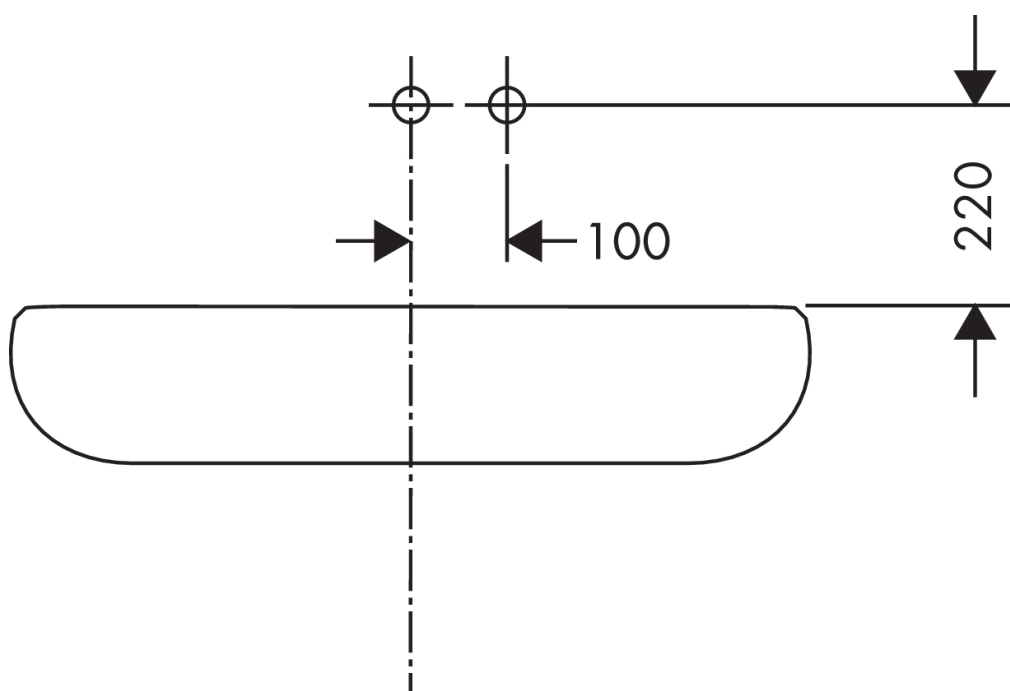
Flowchart



AXOR Citterio
Single lever basin mixer for concealed installation wall-mounted with pin handle, spout 160 mm and plate
Finish: **Chrome** Article Number: **39112000**



Installation examples



AXOR Citterio

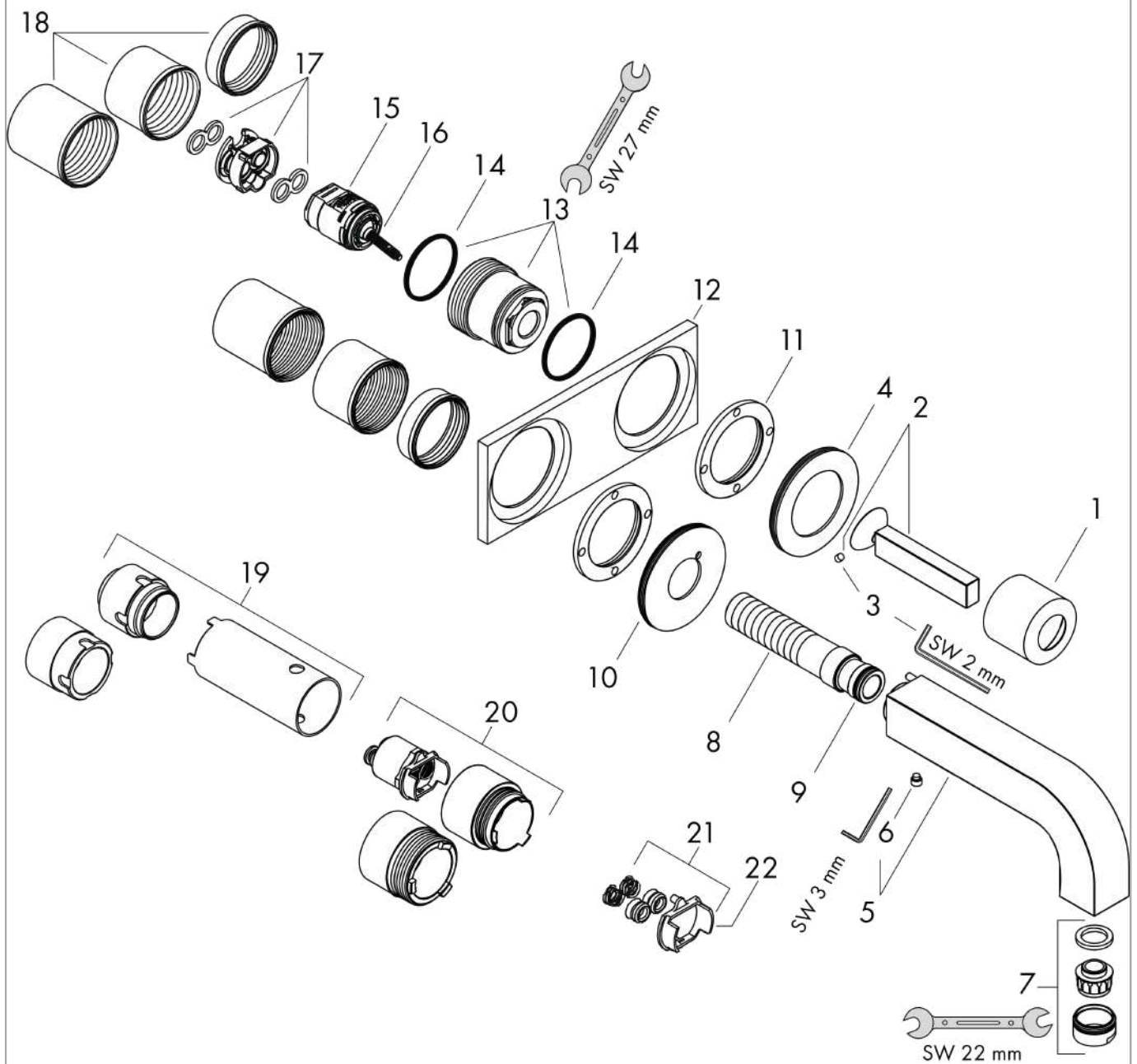
Single lever basin mixer for concealed installation wall-mounted with pin handle, spout 160 mm and plate



Finish: **Chrome** Article Number: **39112000**

Exploded Drawing

Year of production: >01/10



AXOR Citterio

Single lever basin mixer for concealed installation wall-mounted with pin handle, spout 160 mm and plate



Finish: **Chrome** Article Number: **39112000**

Spare part list

Year of production: >01/10

Pos.		Article Number	Price	PU
1	flange	96908000	-	1
2	handle	39092000	-	1
3	hollow set screw M4x6	97767000	-	1
4	escutcheon for handle	96912000	-	1
5	spout 160 mm	97238000	-	1
6	hollow set screw M6x6	97660000	-	1
7	aerator M24x1 (5 l/min)	13185000	-	1
8	connecting thread G½	97228000	-	1
9	O-ring 16x2,5	98134000	-	1
10	escutcheon for spout	97695000	-	1
11	nut	97601000	-	1
12	escutcheon	96914000	-	1
13	nut	95645000	-	1
14	O-ring 34x2	98383000	-	1
15	cartridge, assy	96339000	-	1
16	O-ring 21,95x1,78	95169000	-	1
17	adapter for cartridge	95644000	-	1
18	fixing set	97971000	-	1
19	extension set 25 mm for 13622180	31971000	-	1
20	extension set for 38111180	38982000	-	1
21	conversion kit	95643000	-	1
22	adapter for cartridge	97280000	-	1
a	waste	50001000	-	1
b	base body	13622180	-	1
c	concealed item	38111180	-	1
d	adapter for exchanged connections	93561000	-	1
e	service tool for disassembling the handle	92124000	-	1
f	Grease	90920000	-	1