

## Technical Data

### KLUDI COCKPIT DISCOVERY DUAL SHOWER SYSTEM DN 15

Ref.:  
8020091-00

Finishes:  
91 chrome/white

Product description  
Manufacturer KLUDI GmbH & Co. KG  
Typ: KLUDI COCKPIT DISCOVERY  
DUAL SHOWER SYSTEM DN 15  
Ref.: 8020091-00

thermostatic shower mixer DN 15  
wall mounted  
with place to keep 550 mm  
with ceramic shut-off valve 90°/ 90°  
diverter headshower-handshower  
temperature handle with hotwater safety at 40°C  
protected against back flow  
shower outlet 1/2 inch  
With fixing material

hand shower 1 S  
1 spray pattern, Volumen  
with cleaning system  
connection 1/2", sieve seal

Shower hose  
plastic coated  
with metal-effect  
with conical nuts  
anti twist  
G 1/2 x G 1/2 x 1600 mm

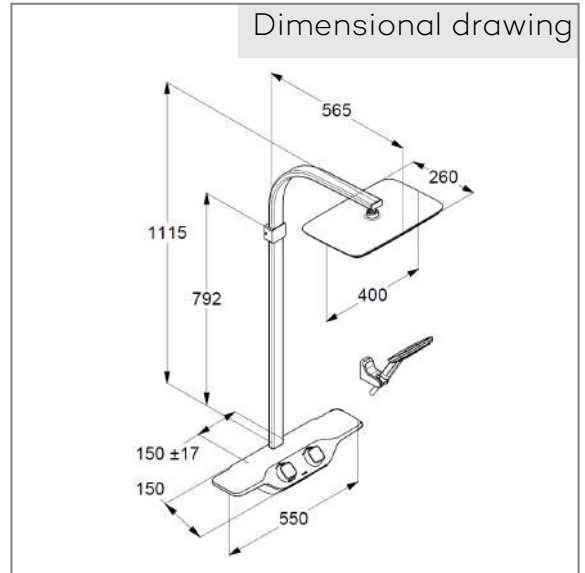
head shower 1 S  
1 spray pattern  
with cleaning system  
connection 1/2"  
with ball joint  
400 x 260 mm  
sieve seal

Wall mounted shower holder  
vertically adjustable  
for shower hoses with conical nuts,  
With fixing material  
for rigid wall mounting

Product picture



Dimensional drawing



Flow rate diagram

