

Technical Data

KLUDI FRESHLINE
hand shower 3 S
DN 15

Ref.:
6790043-00

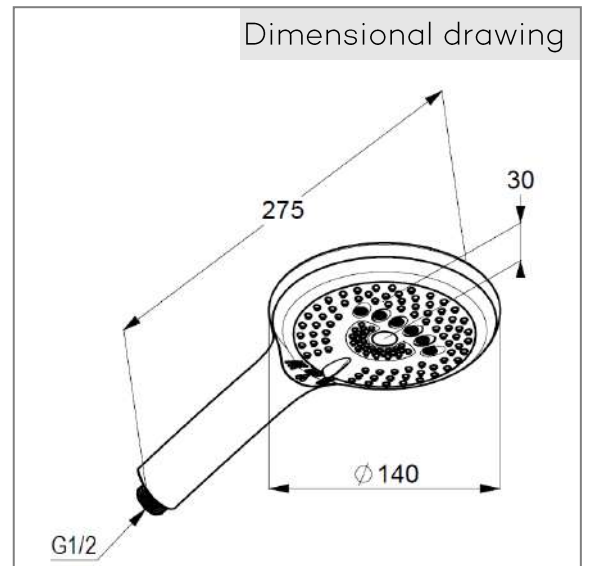
Finishes:
43 white

Product description
Manufacturer KLUDI GmbH & Co. KG
Typ: KLUDI FRESHLINE
hand shower 3 S DN 15
Ref.: 6790043-00
hand shower 3 S
3 spray pattern
Volumen/ booster/ smooth
with cleaning system
connection 1/2"
sieve seal

Product picture



Dimensional drawing



Flow rate diagram

