

## Technical Data

KLUDI BOZZ HYGIENE-SET  
DN 15

Ref.:  
389990576

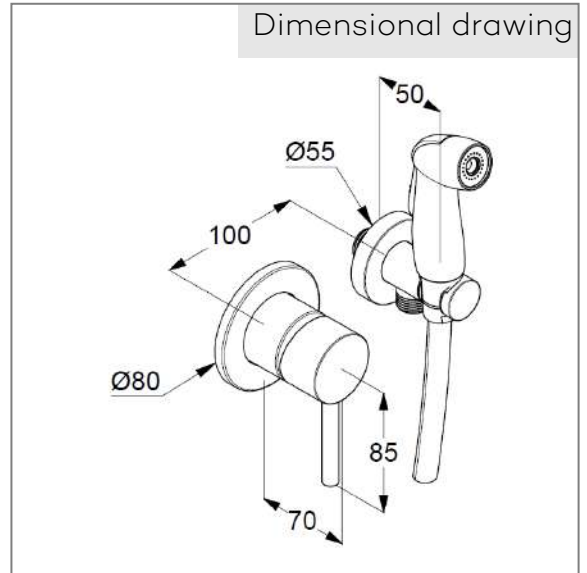
Finishes:  
05 chrome

Product description  
Manufacturer KLUDI GmbH & Co. KG  
Ref.: 389990576  
Typ: KLUDI BOZZ HYGIENE-SET  
pre-installation set with trim set  
vertical wall mounted  
solid lever, metal  
protected against back flow  
shower outlet 1/2 inch  
ceramic cartridge with hotwater safety device  
wall supply with shower holder  
for shower hoses with conical nuts,  
Shattaff with shower hose (metal)  
G 1/2 x G 1/2 x 1250 mm  
1 spray pattern

Product picture



Dimensional drawing



Flow rate diagram

