

Product: KLUDI two way diverter, concealed valve for pre-installation DN 15

Ref.: 2975100

Product description

two way diverter
 concealed valve for pre-installation
 in-wall installation
 flow class DC
 diverter:
 2 connectors G 1/2
 shower outlet G 1/2
 bath outlet G 3/4
 headpart 360°
 noise group I

Advertisement

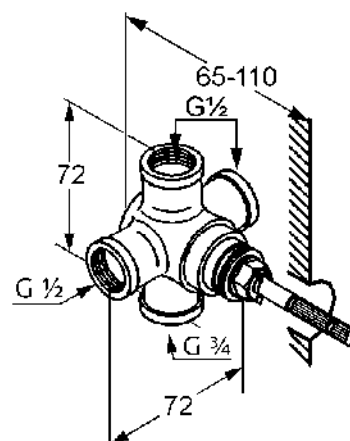
- * KLUDI GmbH & Co KG KLUDI two way diverter, concealed valve for pre-installation item no. 2975100
- ** brass, DIN 50930-6
- *** headpart 360°, DIN EN 200

concealed valve for pre- installation, manufacturer KLUDI GmbH & Co KG KLUDI two way diverter, concealed valve for pre-installation item no. 2975100, DN 15 / 20, brass, typet: concealed two way diverter, 2 connectors 1/2 inch, bath outlet 3/4 inch, shower outlet 1/2 inch, classic headpart 360°, installation depth 65 - 110, flow class DC (max. 0,42 l/s), for pressure type water heater, for continuous line heater, PN 10,

Product picture



Dimensional drawing



Flow rate diagram

