

AXOR One
Showerpipe 280 1jet for concealed installation
 Surfaces: **Chrome** Article Number: **48790000**



product features

- consists of: overhead shower, hand shower, wall connector, shower hose, hand shower holder, shower bar
- overhead shower AXOR One 280 1jet
- shower head size overhead shower: 280 mm
- spray type overhead shower: PowderRain and Rain in combination
- ball-joint: overhead shower angle adjustable
- spray type hand shower: PowderRain
- shower holder inclination angle can be adjusted continuously
- requires a mixer for 2 functions
- maximum flow rate at 3 bar: 12,7 l/min
- flow rate of hand shower at 3 bar: 8,3 l/min
- minimum flow pressure: 2 bar
- mounting type: concealed
- shower bar diameter: 25 mm
- height-adjustable hand shower holder
- swivelling shower arm
- connection dimension: DN15
- min. operating pressure: 1,5 bar
- max. operating pressure: 10 bar

Technology



Design awards



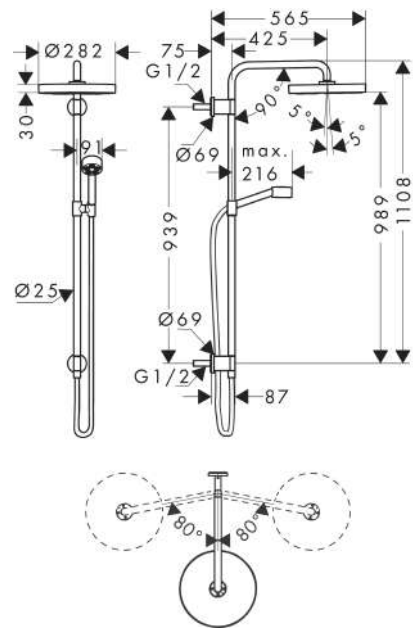
AXOR One
Showerpipe 280 1jet for concealed installation
 Surfaces: **Chrome** Article Number: **48790000**



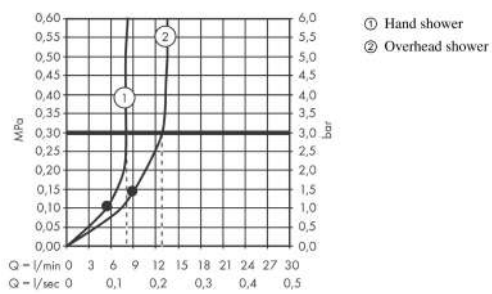
Product image



Scale drawing



Flowchart

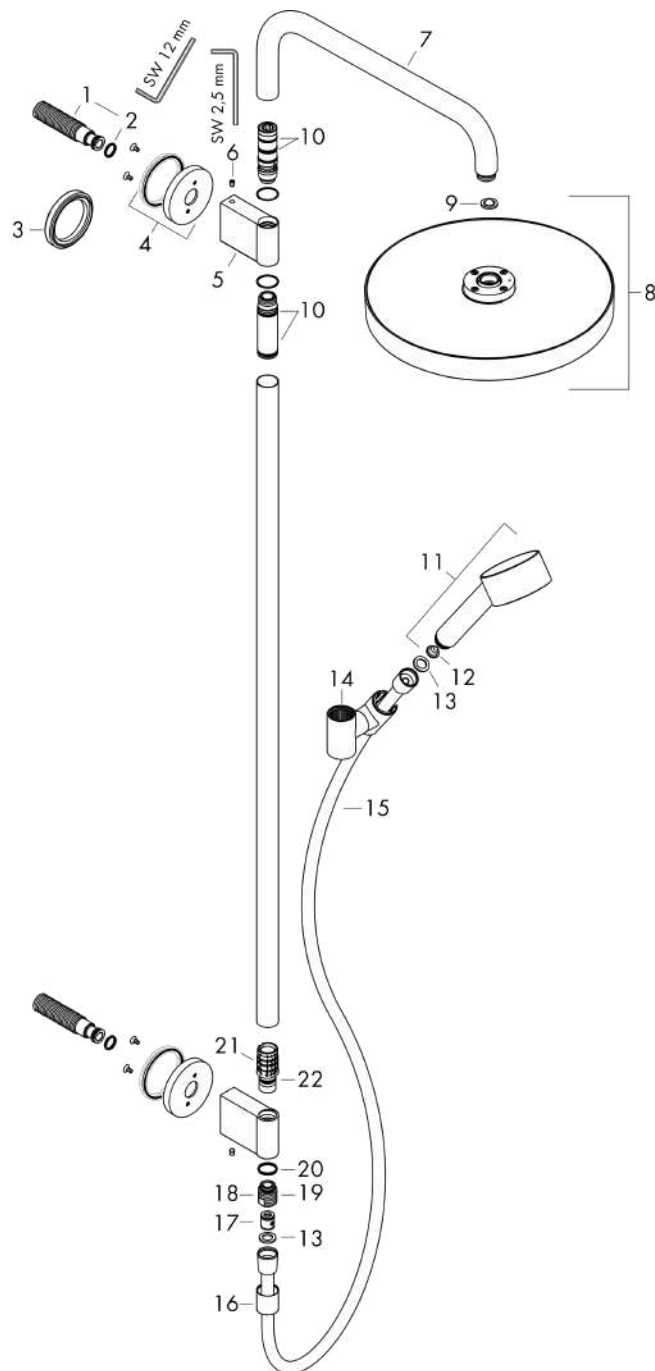


AXOR One
Showerpipe 280 1jet for concealed installation
 Surfaces: **Chrome** Article Number: **48790000**



Exploded Drawing

Year of production: >06/21



AXOR One
Showerpipe 280 1jet for concealed installation
 Surfaces: **Chrome** Article Number: **48790000**



Spare part list

Year of production: >06/21

Pos.		Article Number	Price	PU
1	connecting thread G½	95626000	€ 44,63	1
2	O-ring 13x2	98128000	€ 3,21	1
3	tile-matching-disk 7 mm	94362000	€ 86,16	1
4	escutcheon	94359000	€ 44,63	1
5	support cpl.	94358000	€ 124,95	1
6	hollow set screw M5x8	92851000	€ 3,21	1
7	shower arm cpl.	94357000	€ 162,08	1
8	head shower	94360000	€ 762,55	1
9	filter packing	93774000	€ 8,45	1
10	O-ring 17x2,5	98387000	€ 3,21	1
11	handshower	48651000	-	1
12	filter	92672000	€ 5,24	1
13	seal	98058000	€ 3,21	1
14	support, assy	95480000	€ 70,57	1
15	shower hose 1,60 m	28626000	-	1
16	sleeve	94361000	€ 86,16	1
17	set of non return valves DW 15	94074000	€ 13,92	1
18	connecting thread	95392000	€ 18,33	1
19	O-ring 14x2	98129000	€ 3,21	1
20	O-ring 17x2	98199000	€ 3,21	1
21	bushing	92863000	€ 5,24	1
22	O-Ring 13x3	98184000	€ 3,21	1
a	-	48798180	-	1
b	-	48799000	-	1