

## AXOR One

### Hand shower 75 1jet EcoSmart

Surfaces: **Brushed Black Chrome**

Article Number: **48651340**



#### product features

- shower head size: 73 mm
- spray type: PowderRain
- maximum flow rate at 3 bar: 9,1 l/min
- minimum flow pressure: 0,8 bar
- material: metal
- with internal water conduction
- rinseable screen seal
- connection thread G 1/2
- connection dimension: DN15
- suitable for continuous flow water heaters

#### Technology



#### Design awards



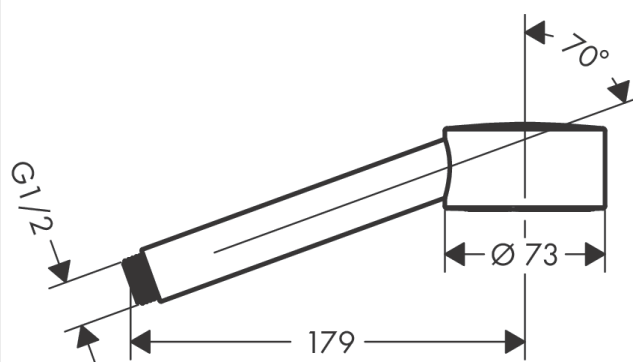
#### Certificates



#### Product image



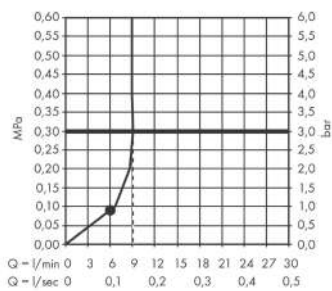
#### Scale drawing



**AXOR One**  
**Hand shower 75 1jet EcoSmart**  
 Surfaces: **Brushed Black Chrome**    Article Number: **48651340**



## Flowchart



The consumption was measured in combination with the appropriate fittings (thermosta/mixer/ in-wall valve) to reflect actual application in practice.