

AXOR One
Overhead shower 280 1jet with ceiling connection
 Surfaces: **Polished Nickel** Article Number: **48493830**



product features

- consists of: overhead shower, ceiling connector
- shower head size: 280 mm
- spray type: PowderRain and Rain in combination
- ball-joint: overhead shower angle adjustable
- material spray disc: metal
- brass ceiling connector
- ceiling connection length: 120 mm
- maximum flow rate at 3 bar: 12,2 l/min
- flow rate PowderRain and Rain spray in combination (at 3 bar): 12,2 l/min
- function from: 9,2 l/min
- minimum flow pressure: 1,4 bar
- overhead shower removable for cleaning
- installation: ceiling
- connection thread G ½
- connection dimension: DN15
- suitable for continuous flow water heaters

Technology



Design awards



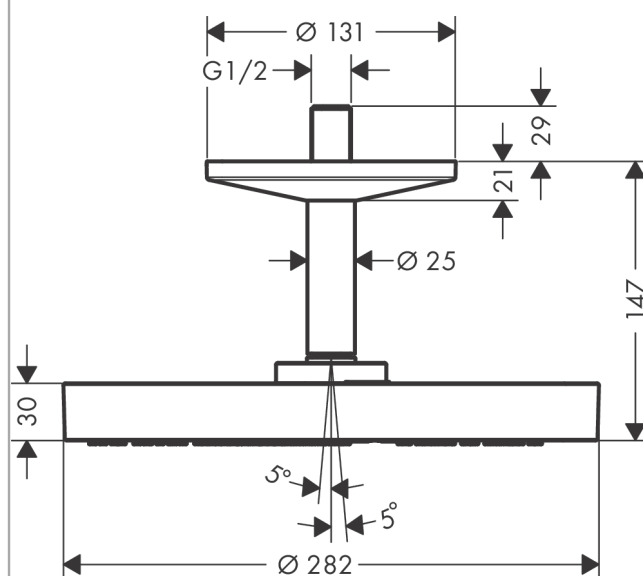
Certificates



Product image



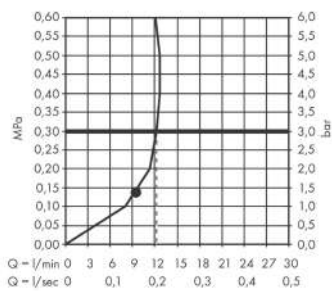
Scale drawing



AXOR One
Overhead shower 280 1jet with ceiling connection
 Surfaces: **Polished Nickel** Article Number: **48493830**



Flowchart



The consumption was measured in combination with the appropriate fittings (thermosta/mixer/ in-wall valve) to reflect actual application in practice.