

AXOR One

Overhead shower 280 1jet with shower arm

Surfaces: **Polished Black Chrome** Article Number: **48491330**



product features

- consists of: overhead shower, shower arm
- shower head size: 280 mm
- spray type: PowderRain and Rain in combination
- ball-joint: overhead shower angle adjustable
- material spray disc: metal
- shower arm length 390 mm
- maximum flow rate at 3 bar: 12,3 l/min
- flow rate PowderRain and Rain spray in combination (at 3 bar): 12,3 l/min
- function from: 8,7 l/min
- minimum flow pressure: 1,2 bar
- overhead shower removable for cleaning
- installation: wall
- connection thread G ½
- connection dimension: DN15
- suitable for continuous flow water heaters

Technology



Design awards



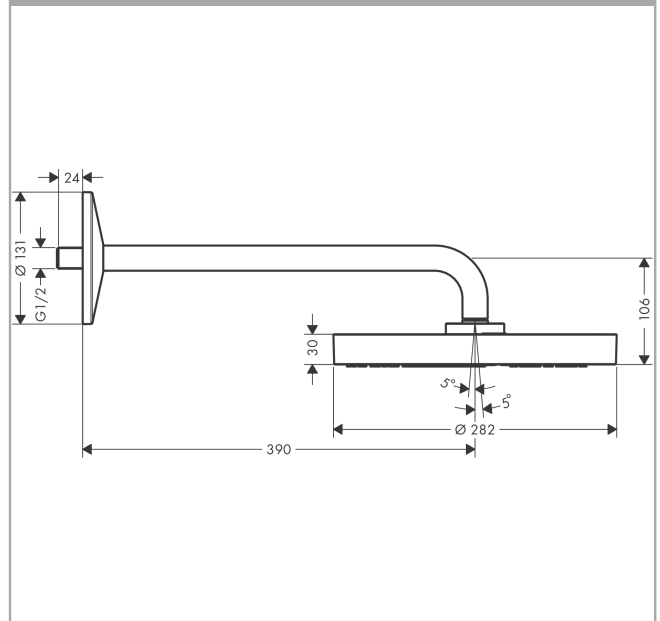
Certificates



Product image



Scale drawing



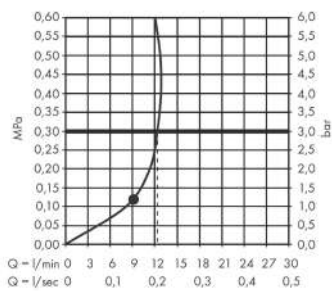
AXOR One

Overhead shower 280 1jet with shower arm

Surfaces: **Polished Black Chrome** Article Number: **48491330**



Flowchart



The consumption was measured in combination with the appropriate fittings (thermosta/mixer/ in-wall valve) to reflect actual application in practice.

AXOR One
Overhead shower 280 1jet with shower arm
 Surfaces: **Polished Black Chrome** Article Number: **48491330**



Exploded Drawing

Year of production: >04/21

