

**AXOR One**  
**Single lever bath mixer floor-standing**  
 Surfaces: **Polished Nickel** Article Number: **48440830**



### product features

- consists of: single lever bath mixer floor standing, hand shower, shower hose, shower holder
- 2 functions
- projection: 220 mm
- spray type mixer: normal spray
- spray type hand shower: PowderRain
- maximum flow rate at 3 bar: 21,5 l/min
- flow rate for bath spout at 3 bar: 21,5 l/min
- flow rate of hand shower at 3 bar: 8 l/min
- ceramic cartridge
- temperature limitation adjustable
- diverter with automatic resetting
- non-return valve
- connection dimension: DN15
- connection type: basic set
- min. operating pressure: 1 bar
- max. operating pressure: 10 bar

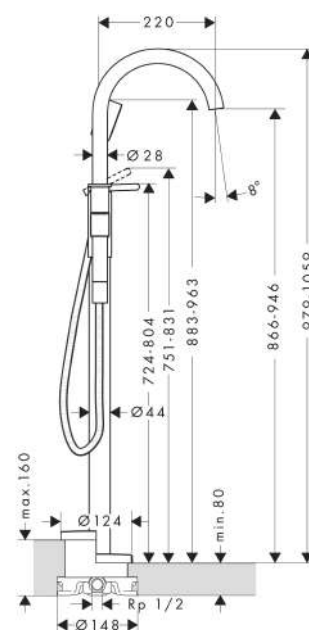
### Technology



### Product image



### Scale drawing



**AXOR One**  
**Single lever bath mixer floor-standing**  
 Surfaces: **Polished Nickel** Article Number: **48440830**



## Flowchart

