

AXOR One

Basin mixer for concealed installation wall-mounted Select with spout 220 mm

Surfaces: **Brushed Gold Optic** Article Number: **48112250**



product features

- consists of: basin mixer for concealed installation wall-mounted, waste set
- projection: 220 mm
- spray type: Normal spray
- maximum flow rate at 3 bar: 5 l/min
- Select cartridge with temperature control
- suitable for continuous flow water heaters
- non-closing waste set
- connection type: basic set
- connection dimension: DN15

Technology



Design awards



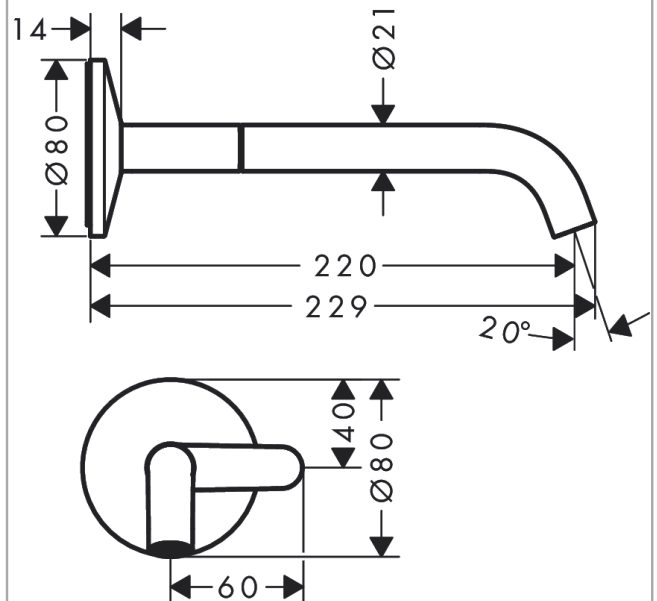
Certificates



Product image



Scale drawing



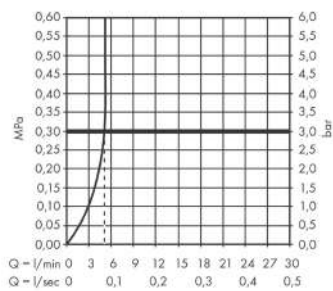
AXOR One

Basin mixer for concealed installation wall-mounted Select with spout 220 mm

Surfaces: **Brushed Gold Optic** Article Number: **48112250**



Flowchart



AXOR One

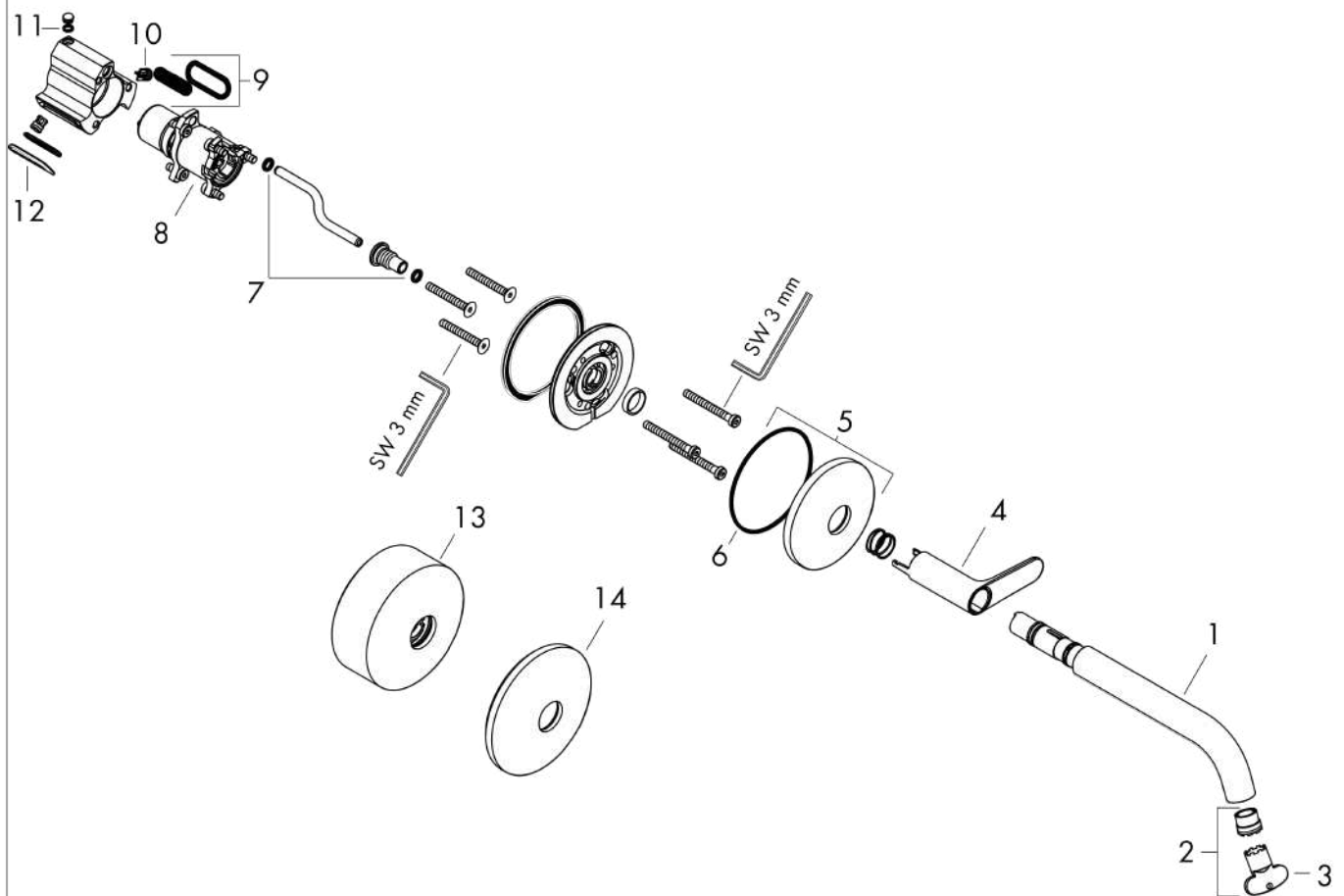
Basin mixer for concealed installation wall-mounted Select with spout 220 mm

Surfaces: **Brushed Gold Optic** Article Number: **48112250**



Exploded Drawing

Year of production: >06/21



AXOR One

Basin mixer for concealed installation wall-mounted Select with spout 220 mm

Surfaces: **Brushed Gold Optic** Article Number: **48112250**



Spare part list

Year of production: >06/21

Pos.		Article Number	Price	PU
1	spout cpl.	94313250	€ 187,43	1
2	aerator cpl.	93118000	€ 22,37	1
3	special tool	98987000	€ 8,45	1
4	handle	94314250	€ 187,43	1
5	escutcheon Ø 80 mm	94315250	€ 129,23	1
6	O-ring 72x2	98395000	€ 3,21	1
7	O-ring 6x2	98458000	€ 3,21	1
8	cartridge, assy	94317000	€ 329,87	1
9	filter	94316000	€ 28,20	1
10	non return valve	93250000	€ 13,92	1
11	O-ring 4x1,5	93463000	€ 3,21	1
12	O-ring 25x2,5	92146000	€ 13,92	1
13	escutcheon Ø 90 mm	13611250	€ 57,36	1
14	escutcheon height = 36 mm (when wall is not deep enough).	13610250	€ 57,36	1
a	base body	13625180	-	1