

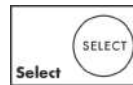
**AXOR One**  
**3-hole basin mixer Select 170 with push-open waste set**  
 Surfaces: **Polished Red Gold** Article Number: **48070300**



### product features

- consists of: 3-hole basin mixer, waste set
- ComfortZone 170
- projection: 140 mm
- spout height: 169 mm
- swivel range 120°
- spray type: Normal spray
- maximum flow rate at 3 bar: 5 l/min
- right handle: Select cartridge with temperature control
- left handle: volume control
- temperature limitation adjustable
- suitable for continuous flow water heaters
- push-open waste set G 1¼
- material waste set: metal
- connection type: G ¾ connections
- connection dimension: DN15

### Technology



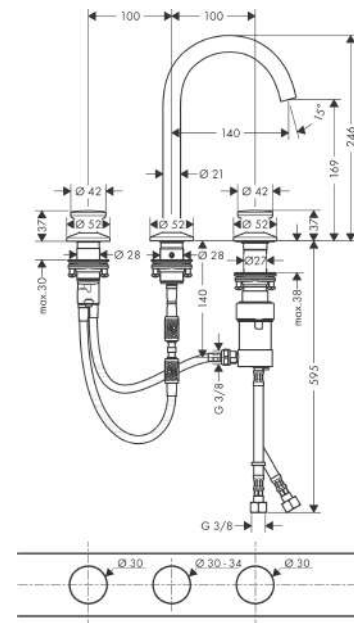
### Certificates



### Product image



### Scale drawing



**AXOR One**  
**3-hole basin mixer Select 170 with push-open waste set**  
Surfaces: **Polished Red Gold** Article Number: **48070300**



## Flowchart

