

AXOR One

3-hole basin mixer 170 with push-open waste set

Surfaces: **Polished Nickel** Article Number: **48050830**



product features

- consists of: 3-hole basin mixer, waste set
- ComfortZone 170
- projection: 140 mm
- spout height: 169 mm
- swivel range 120°
- spray type: Normal spray
- maximum flow rate at 3 bar: 5 l/min
- ceramic valves hot/ cold 90°
- suitable for continuous flow water heaters
- push-open waste set G 1¼
- material waste set: metal
- connection type: G ¾ connections
- connection dimension: DN15

Technology



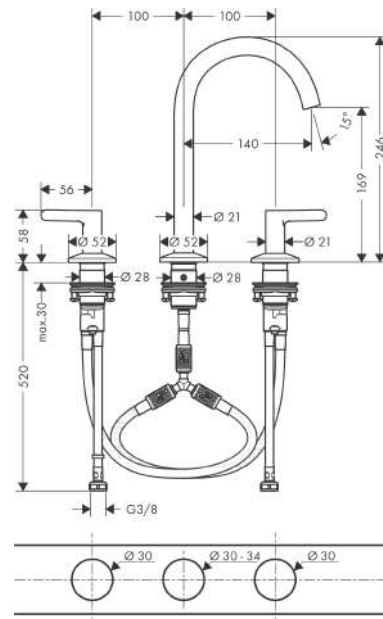
Certificates



Product image



Scale drawing



AXOR One
3-hole basin mixer 170 with push-open waste set
Surfaces: **Polished Nickel** Article Number: **48050830**



Flowchart

