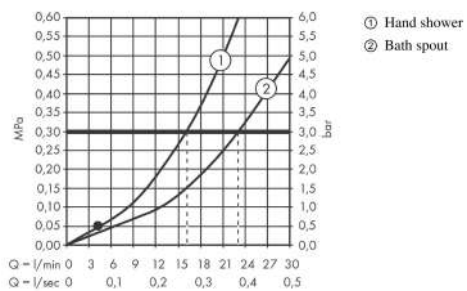


AXOR MyEdition
4-hole rim-mounted bath mixer
 Surfaces: Art. no. : **47430000**



Flowchart

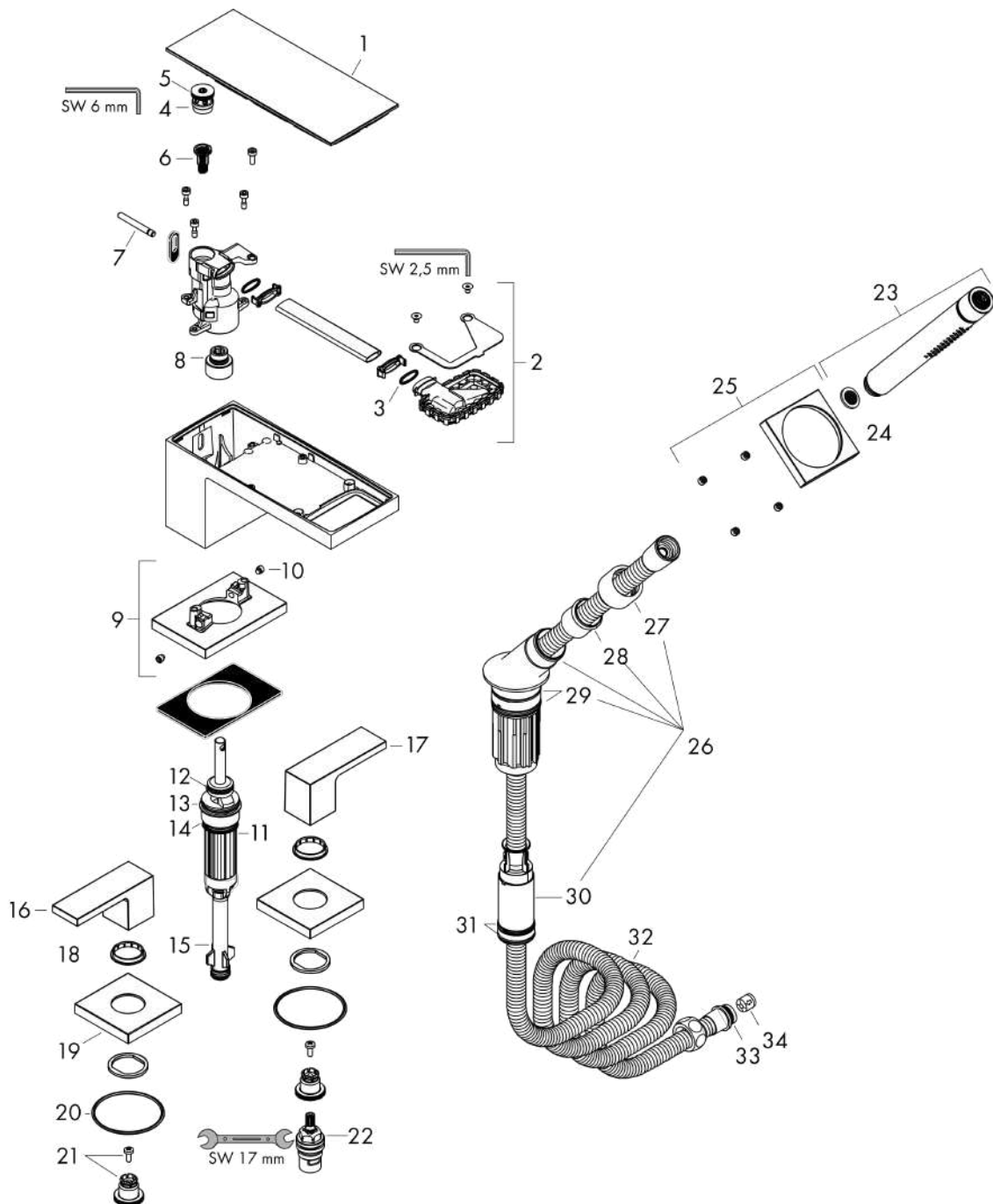


AXOR MyEdition
4-hole rim-mounted bath mixer
 Surfaces: Art. no. : **47430000**



Exploded Drawing

Year of production: >10/21



AXOR MyEdition
4-hole rim-mounted bath mixer
 Surfaces: Art. no. : **47430000**



Spare part list

Year of production: >10/21

Pos.		Art. no.	Price	PU
1	cover	47900000	-	1
2	spray former	93376000	-	1
3	O-ring 13x1,5	98475000	-	1
4	service unit	93369000	-	1
5	O-ring 17x1,5	98137000	-	1
6	filter insert	97708000	-	1
7	diverter knob	98707000	-	1
8	O-ring 12x2	98214000	-	1
9	escutcheon for spout	93368000	-	1
10	hollow set screw M6x6	97660000	-	1
11	selector assy	96775000	-	1
12	O-Ring 14x2,5	98189000	-	1
13	O-Ring 23x2,5	98183000	-	1
14	O-ring 20x2,5	92602000	-	1
15	O-ring 9x2,5	98217000	-	1
16	handle for hot water	93364000	-	1
17	handle for cold water	93365000	-	1
18	set of color-rings cold / hot water	95819000	-	1
19	escutcheon for handle	93366000	-	1
20	O-ring 56x2	98468000	-	1
21	handle fixing set	94184000	-	1
22	shut off unit left closing	94008000	-	1
23	handshower	28532000	-	1
24	filter packing	94246000	-	1
25	escutcheon for shower holder	93367000	-	1
26	shower holder, assy	95996000	-	1
27	nut	97584000	-	1
28	insert for shower holder	96942000	-	1
29	O-ring 38x2,5	98198000	-	1
30	hose brake	98656000	-	1
31	O-Ring 28x2	98194000	-	1
32	shower hose 2,00 m	94148000	-	1
33	O-ring 11x2	98127000	-	1
34	set of non return valves DW 15	94074000	-	1

AXOR MyEdition
4-hole rim-mounted bath mixer
 Surfaces: Art. no. : **47430000**



Spare part list

Year of production: >10/21

Pos.		Art. no.	Price	PU
a	cover	47903000	-	1
b	cover	47906000	-	1
c	cover	47909000	-	1
d	cover	47913000	-	1
e	cover	47916000	-	1