

**AXOR Edge**  
**Thermostat for concealed installation with shut-off valve**  
Surfaces: **Chrome** Article Number: **46750000**



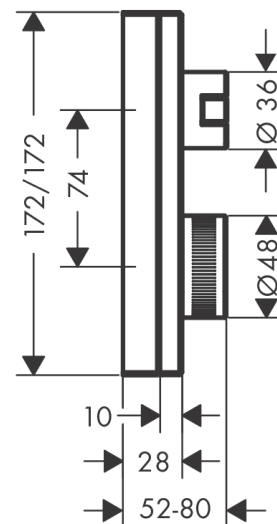
### product features

- 1 function
- maximum flow rate at 3 bar: 26 l/min
- thermostat cartridge, ceramic valves 90°
- safety lock at 40 °C
- temperature limitation adjustable
- non-return valve
- with silencer
- connection type: basic set
- min. operating pressure: 1 bar
- max. operating pressure: 10 bar

### Product image



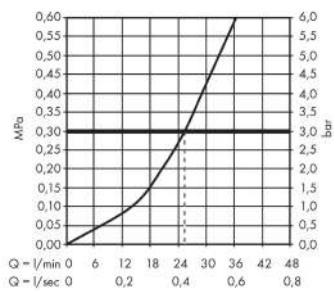
### Scale drawing



**AXOR Edge**  
**Thermostat for concealed installation with shut-off valve**  
Surfaces: **Chrome** Article Number: **46750000**



## Flowchart

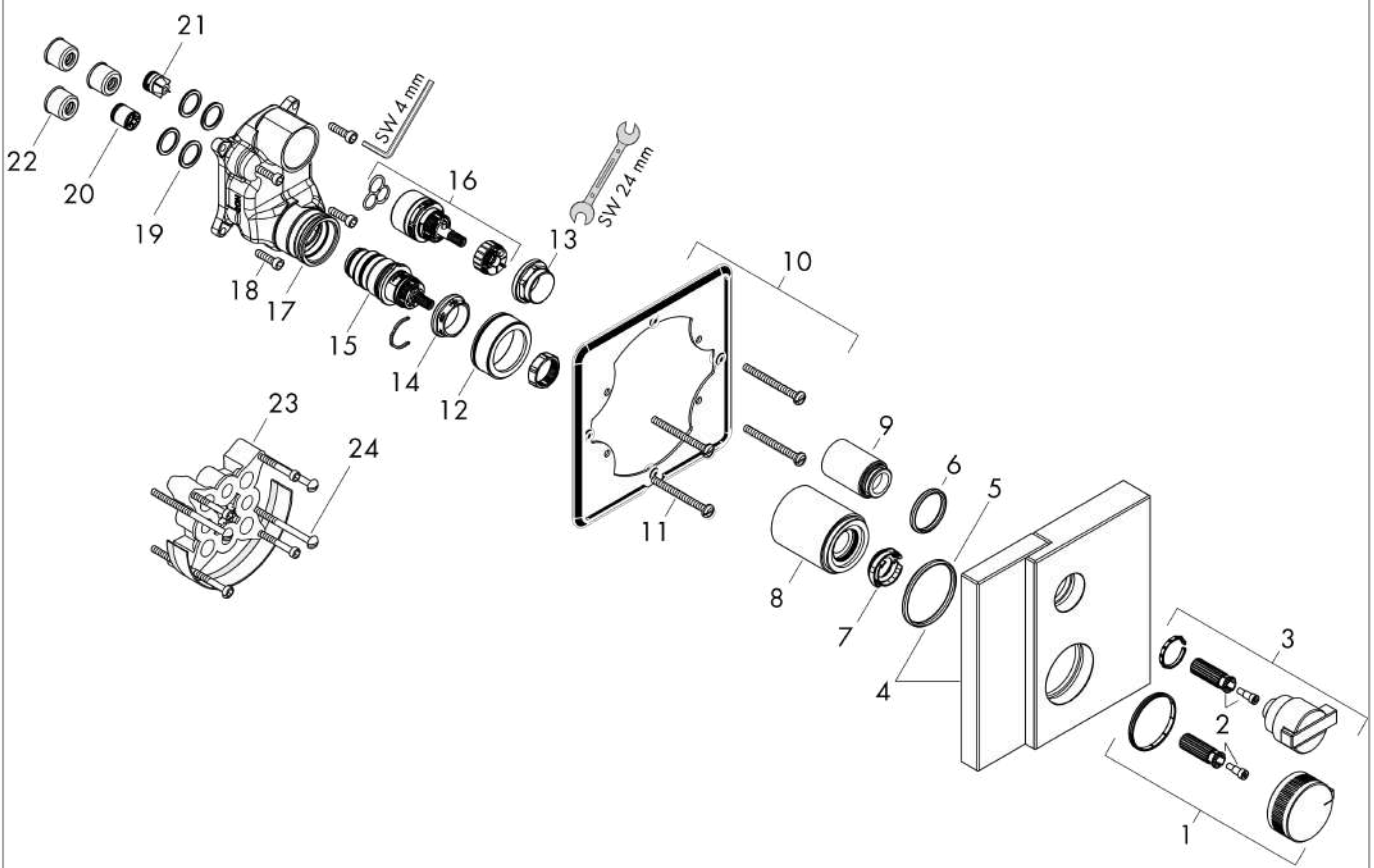


**AXOR Edge**  
**Thermostat for concealed installation with shut-off valve**  
 Surfaces: **Chrome**    Article Number: **46750000**



## Exploded Drawing

Year of production: >04/19



**AXOR Edge**  
**Thermostat for concealed installation with shut-off valve**  
 Surfaces: **Chrome** Article Number: **46750000**



## Spare part list

Year of production: >04/19

Pos.		Article Number	Price	PU
1	handle for thermostat	93593000	€ 329,87	1
2	handle fixing set	95843000	€ 8,45	1
3	handle	93594000	€ 401,27	1
4	escutcheon 170 / 170 mm	93595000	€ 2.159,26	1
5	O-Ring 48x3	95508000	€ 3,21	1
6	O-ring 29x3	98371000	€ 5,24	1
7	safety set	93603000	€ 3,21	1
8	sleeve	93602000	€ 124,95	1
9	sleeve	95253000	€ 28,20	1
10	sub plate	93604000	€ 86,16	1
11	set of fixing screws	96454000	€ 8,45	1
12	O-ring 43x1,5	98148000	€ 3,21	1
13	nut	93605000	-	1
14	nut	98913000	€ 18,33	1
15	thermostat cartridge	98282000	€ 100,44	1
16	shut off unit	95800000	€ 57,12	1
17	O-ring 36x2	98156000	€ 3,21	1
18	set of screws	96525000	€ 8,45	1
19	O-ring 16x2	98133000	€ 3,21	1
20	non return valve (pressure-resistant up to 2 MPa)	92594000	€ 13,92	1
21	set of non return valves DW 15	94074000	€ 13,92	1
22	noise reduction	94073000	€ 22,37	1
23	extension 25 mm	13595000	-	1
24	set of fixing screws	97747000	€ 3,21	1
a	concealed item	01800180	-	1