

AXOR Edge
Thermostatic mixer HighFlow for concealed installation
 Surfaces: Art. no. : **46740000**



product features

- thermostat cartridge
- concealed installation
- Maximum flow rate (at 3 bar): 59 l/min
- Min. operating pressure: 1 bar
- Max. operating pressure: 10 bar
- safety stop at 40°C
- Maximum temperature can be adjusted on installation
- Non-return valve
- Connection type: basic set
- Noise class: II
- WRAS 2107096
- WRAS 2107096 - Approval letter

Article Details

Price excl. VAT £ 1,078.91

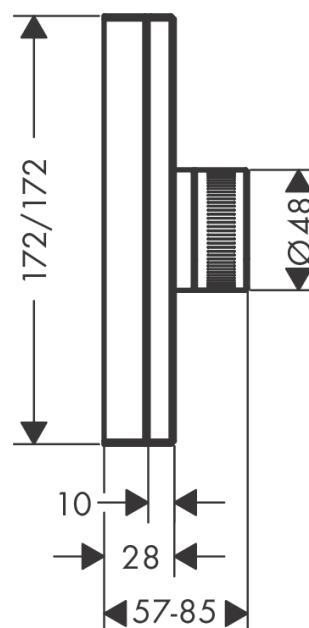
Certificates



Product image



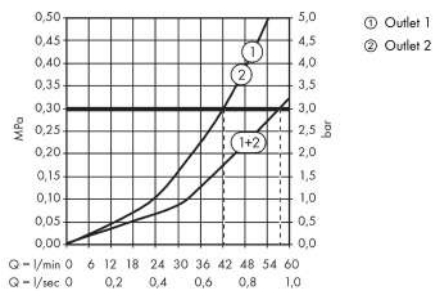
Scale drawing



AXOR Edge
Thermostatic mixer HighFlow for concealed installation
 Surfaces: Art. no. : **46740000**



Flowchart

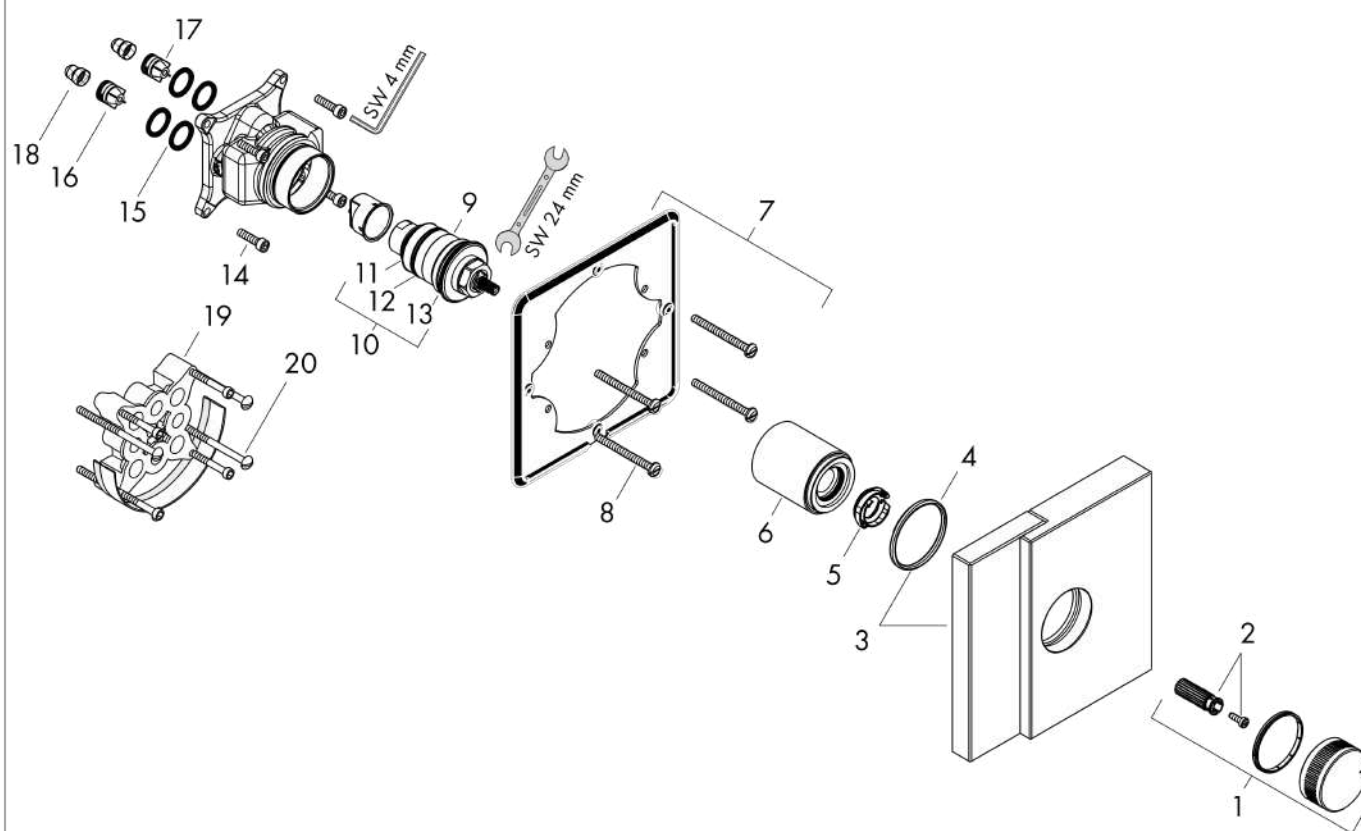


AXOR Edge
Thermostatic mixer HighFlow for concealed installation
 Surfaces: Art. no. : **46740000**



Exploded Drawing

Year of production: >04/19



AXOR Edge
Thermostatic mixer HighFlow for concealed installation
 Surfaces: Art. no. : **46740000**



Spare part list

Year of production: >04/19

Pos.		Art. no.	Price	PU
1	handle for thermostat	93593000	-	1
2	handle fixing set	95843000	-	1
3	escutcheon 170 / 170 mm	93599000	-	1
4	O-Ring 48x3	95508000	-	1
5	safety set	93603000	-	1
6	sleeve	93602000	-	1
7	sub plate	93604000	-	1
8	set of fixing screws	96454000	-	1
9	thermostat cartridge	96633000	-	1
10	sealing set	96636000	-	1
11	O-ring 26x2	98147000	-	1
12	O-ring 34x2	98383000	-	1
13	O-ring 38x2,5	98198000	-	1
14	set of screws	96525000	-	1
15	O-ring 16x2	98133000	-	1
16	non return valve (pressure-resistant up to 2 MPa)	93444000	-	1
17	set of non return valves DW 15	97350000	-	1
18	filter	98513000	-	1
19	extension 25 mm	13595000	-	1
20	set of fixing screws	97747000	-	1
a	concealed item	01800180	-	1