

**AXOR Edge**  
**Single lever manual shower mixer for concealed installation**  
 Surfaces: **chrome** Art. no. : **46650000**



### product features

- designed to run 1 function
- Maximum flow rate (at 3 bar): 29 l/min
- ceramic cartridge
- Maximum temperature can be adjusted on installation
- Connection type: basic set
- Min. operating pressure: 1 bar
- Max. operating pressure: 10 bar
- WRAS 1907345
- Kiwa UK 1907712

### Article Details

Price excl. VAT

£ 829.25

### Certificates

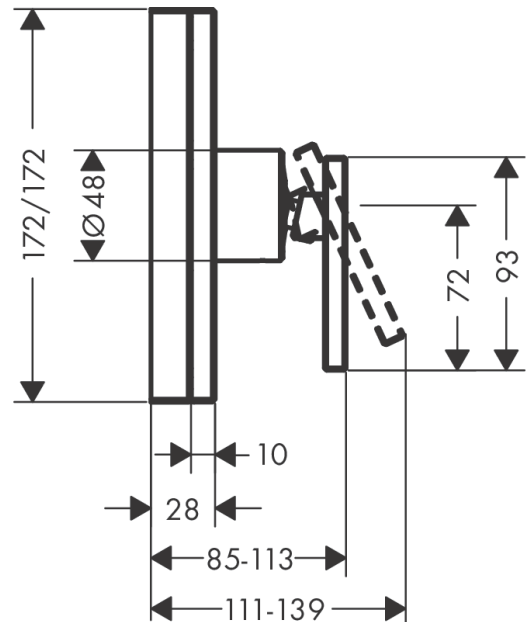


**kiwa**

### Product image



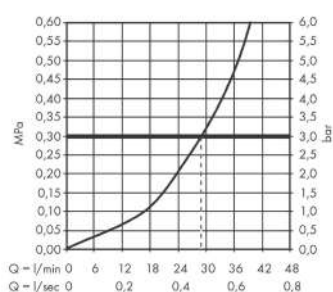
### Scale drawing



**AXOR Edge**  
**Single lever manual shower mixer for concealed installation**  
Surfaces: **chrome** Art. no. : **46650000**



## Flowchart

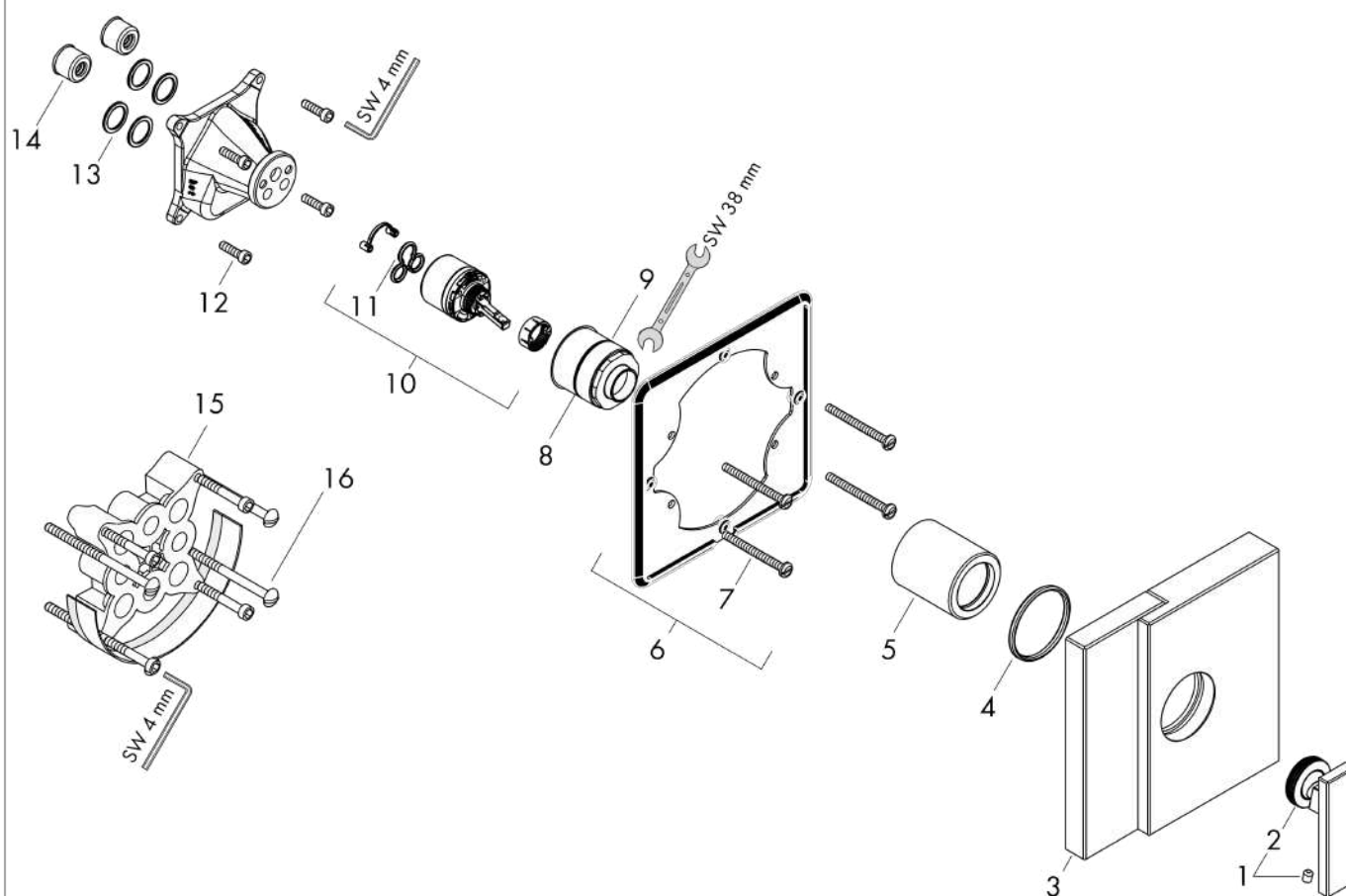


**AXOR Edge**  
**Single lever manual shower mixer for concealed installation**  
Surfaces: **chrome** Art. no. : **46650000**



## Exploded Drawing

Year of production: >06/19



**AXOR Edge**  
**Single lever manual shower mixer for concealed installation**  
 Surfaces: **chrome** Art. no. : **46650000**



## Spare part list

Year of production: >06/19

| Pos. |                         | Art. no. | Price | PU |
|------|-------------------------|----------|-------|----|
| 1    | handle                  | 93565000 | -     | 1  |
| 2    | O-Ring 30x2             | 98186000 | -     | 1  |
| 3    | escutcheon 170 / 170 mm | 93567000 | -     | 1  |
| 4    | O-Ring 48x3             | 95508000 | -     | 1  |
| 5    | sleeve                  | 93581000 | -     | 1  |
| 6    | sub plate               | 93604000 | -     | 1  |
| 7    | set of fixing screws    | 96454000 | -     | 1  |
| 8    | nut                     | 93564000 | -     | 1  |
| 9    | O-ring 39x1,5           | 98400000 | -     | 1  |
| 10   | cartridge, assy         | 93185000 | -     | 1  |
| 11   | seal                    | 95008000 | -     | 1  |
| 12   | set of screws           | 96525000 | -     | 1  |
| 13   | O-ring 16x2             | 98133000 | -     | 1  |
| 14   | noise reduction         | 94073000 | -     | 1  |
| 15   | extension 25 mm         | 13595000 | -     | 1  |
| 16   | set of fixing screws    | 97747000 | -     | 1  |
| a    | concealed item          | 01800180 | -     | 1  |