

AXOR Edge

Porter unit with baton hand shower 2jet and shower hose

Surfaces: **Chrome** Article Number: **46520000**



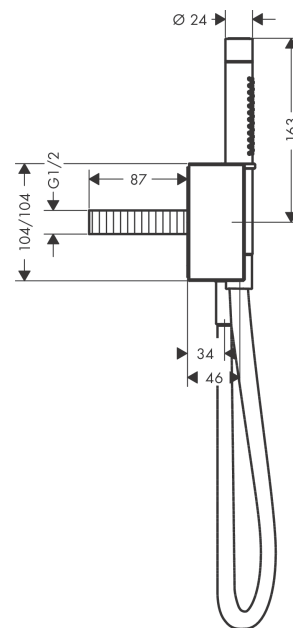
product features

- consists of: baton hand shower, porter unit, shower holder, shower hose
- integrated support function
- maximum flow rate at 3 bar: 16,2 l/min
- metal
- non-return valve
- connection type: G ½
- minimum flow pressure: 1 bar
- for shower hoses with cylindrical nut on both sides

Product image



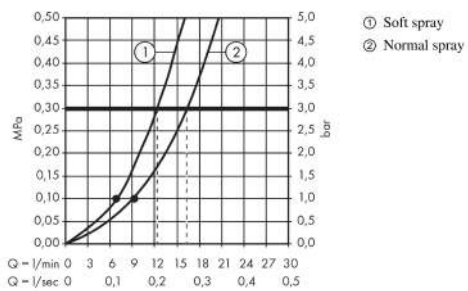
Scale drawing



AXOR Edge
Porter unit with baton hand shower 2jet and shower hose
 Surfaces: **Chrome** Article Number: **46520000**



Flowchart



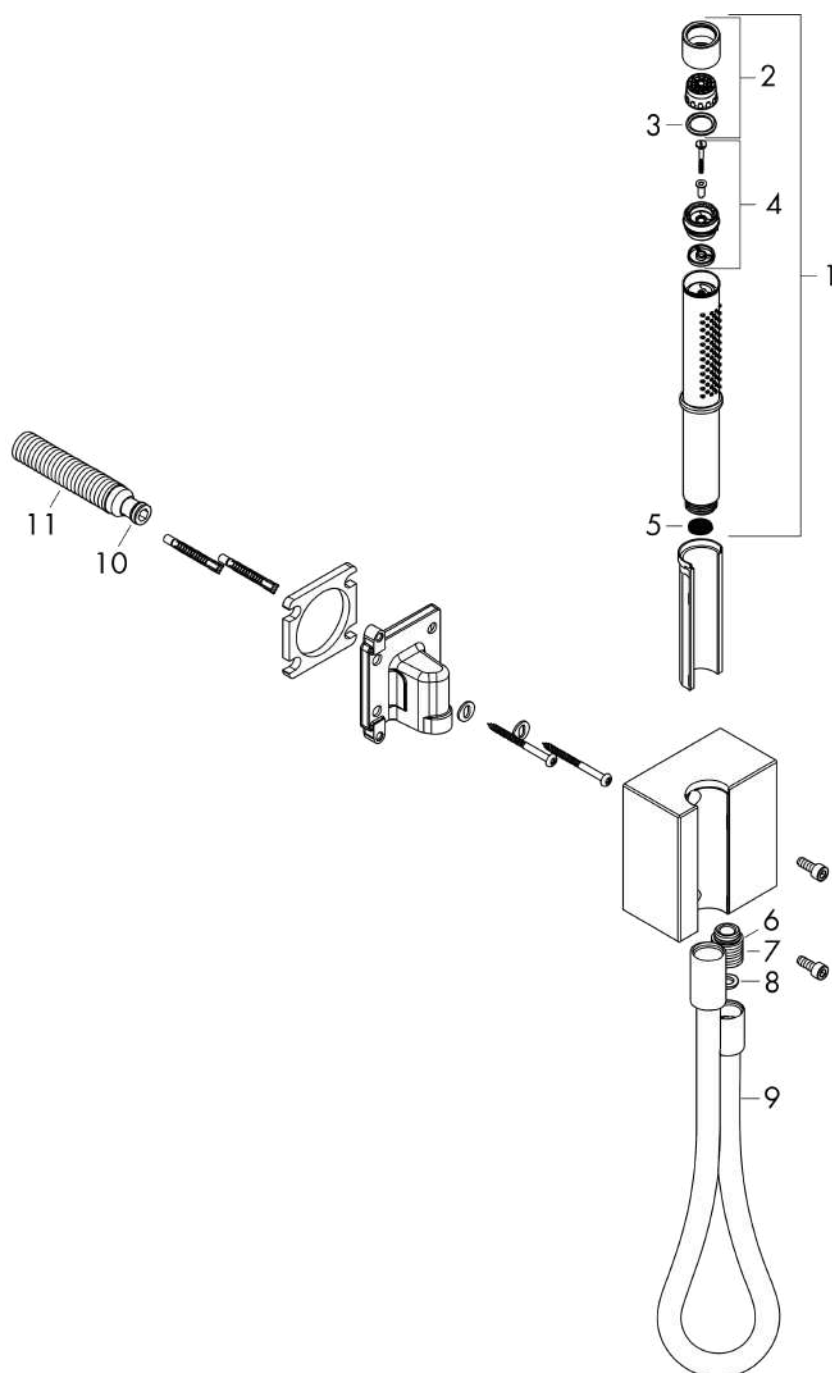
The consumption was measured in combination with the appropriate fittings (thermosta/mixer/ in-wall valve) to reflect actual application in practice.

AXOR Edge
Porter unit with baton hand shower 2jet and shower hose
Surfaces: **Chrome** Article Number: **46520000**



Exploded Drawing

Year of production: >04/19



AXOR Edge
Porter unit with baton hand shower 2jet and shower hose
 Surfaces: **Chrome** Article Number: **46520000**



Spare part list

Year of production: >04/19

Pos.		Article Number	Price	PU
1	handshower	95390000	€ 249,90	1
2	spray former	95411000	€ 35,94	1
3	O-Ring 14x2,5	98189000	€ 3,21	1
4	selector assy	95511000	€ 11,31	1
5	filter packing	94246000	€ 3,21	1
6	connecting thread G½	92195000	€ 57,12	1
7	O-ring 14x2	98129000	€ 3,21	1
8	seal	98058000	€ 3,21	1
9	shower hose 1,25 m	28282000	-	1
10	O-ring 11x2	98127000	€ 3,21	1
11	connecting thread	95392000	€ 18,33	1