

AXOR Edge

Rim-mounted bath set

Surfaces: **chrome** Art. no. : **46470000**



product features

- Consists of: baton hand shower, escutcheon, hose box, shower hose
- suitable for installation on bath rim
- sBox for quiet, smooth and protected hose guidance
- Connection thread 1/2"
- Operating pressure: min. 1 bar/max. 10 bar
- no additional maintenance opening required
- Maximum pull-out length of hand shower 1.45 m
- removable for service at any time
- Maximum flow rate (at 3 bar): 10 l/min

Article Details

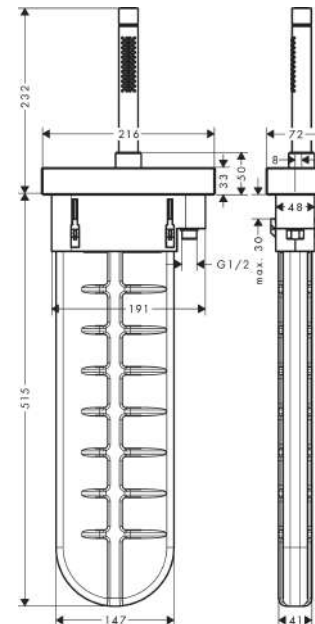
Price excl. VAT

£ 539.46

Product image



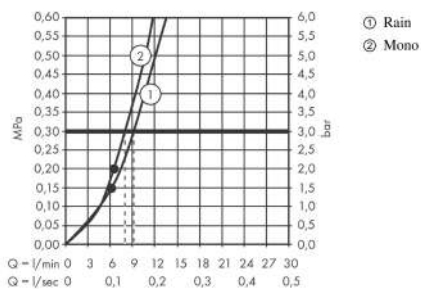
Scale drawing



AXOR Edge
Rim-mounted bath set
 Surfaces: **chrome** Art. no. : **46470000**



Flowchart



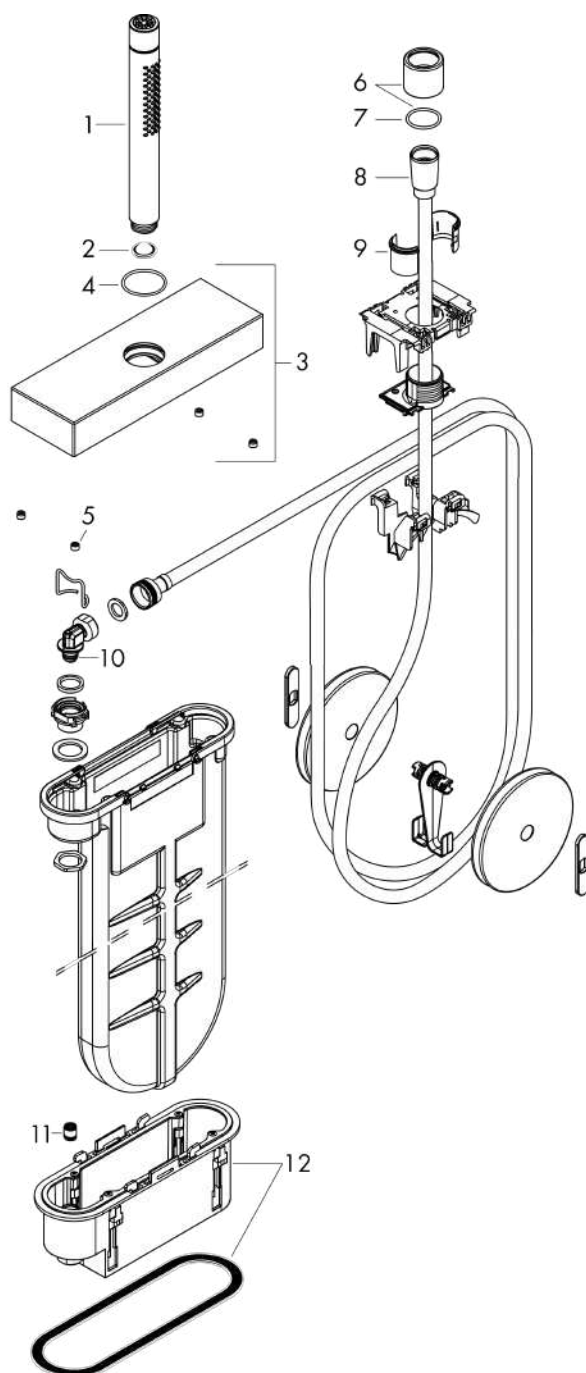
The consumption was measured in combination with the appropriate fittings (thermosta/mixer/ in-wall valve) to reflect actual application in practice.

AXOR Edge
Rim-mounted bath set
Surfaces: **chrome** Art. no. : **46470000**



Exploded Drawing

Year of production: >06/19



AXOR Edge
Rim-mounted bath set
 Surfaces: **chrome** Art. no. : **46470000**



Spare part list

Year of production: >06/19

Pos.		Art. no.	Price	PU
1	handshower	28532000	-	1
2	filter packing	94246000	-	1
3	escutcheon	93582000	-	1
4	O-Ring 32x2	98193000	-	1
5	screw cover	95704000	-	1
6	nut	93591000	-	1
7	O-ring 24x2	98388000	-	1
8	shower hose	93506000	-	1
9	insert for shower holder	96942000	-	1
10	O-ring 9x2	98119000	-	1
11	non return valve DW 10	96456000	-	1
12	installation frame	93908000	-	1