

AXOR Edge
Single lever manual bath mixer for concealed installation
 Surfaces: **chrome** Art. no. : **46450000**



product features

- designed to run 2 outlets
- Flow rate upper outlet (at 3 bar): 20 l/min
- Flow rate lower outlet (at 3 bar): 28 l/min
- Maximum flow rate (at 3 bar): 28 l/min
- ceramic cartridge
- Maximum temperature can be adjusted on installation
- diverter with automatic resetting
- with silencer
- concealed installation
- Noise class: II
- Connection type: basic set
- Min. operating pressure: 1 bar
- Max. operating pressure: 10 bar
- WRAS 1907356
- Kiwa UK 1907734

Article Details

Price excl. VAT

£ 998.66

Certificates

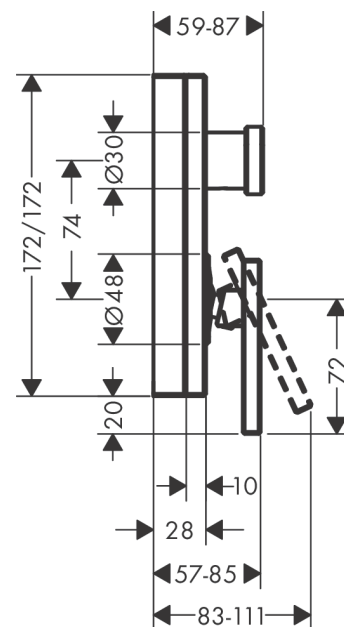


kiwa

Product image



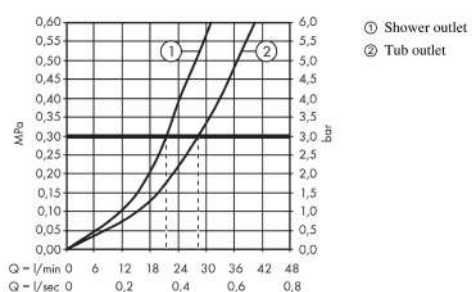
Scale drawing



AXOR Edge
Single lever manual bath mixer for concealed installation
 Surfaces: **chrome** Art. no. : **46450000**



Flowchart

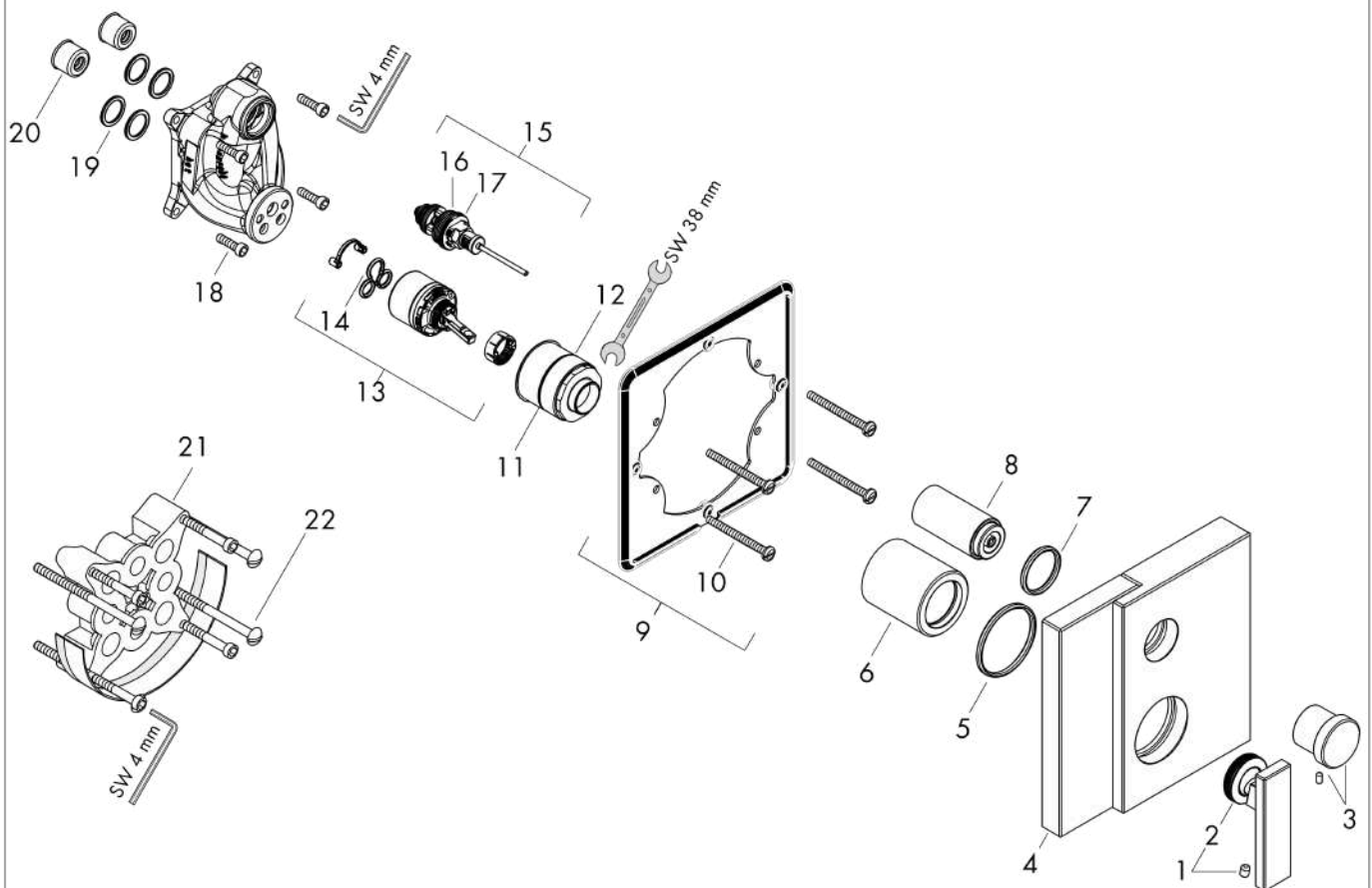


AXOR Edge
Single lever manual bath mixer for concealed installation
 Surfaces: **chrome** Art. no. : **46450000**



Exploded Drawing

Year of production: >06/19



AXOR Edge
Single lever manual bath mixer for concealed installation
 Surfaces: **chrome** Art. no. : **46450000**



Spare part list

Year of production: >06/19

Pos.		Art. no.	Price	PU
1	handle	93565000	-	1
2	O-Ring 30x2	98186000	-	1
3	diverter knob	93566000	-	1
4	escutcheon 170 / 170 mm	93569000	-	1
5	O-Ring 48x3	95508000	-	1
6	O-ring 29x3	98371000	-	1
7	sleeve	93581000	-	1
8	sleeve	93580000	-	1
9	sub plate	93604000	-	1
10	set of fixing screws	96454000	-	1
11	nut	93564000	-	1
12	O-ring 39x1,5	98400000	-	1
13	cartridge, assy	93185000	-	1
14	seal	95008000	-	1
15	selector	92745000	-	1
16	O-ring 20x2,5	92602000	-	1
17	O-ring 17x2	98199000	-	1
18	set of screws	96525000	-	1
19	O-ring 16x2	98133000	-	1
20	noise reduction	94073000	-	1
21	extension 25 mm	13595000	-	1
22	set of fixing screws	97747000	-	1