

AXOR Edge
Single lever bath mixer floor-standing
 Surfaces: **chrome** Art. no. : **46440000**



product features

- Consists of: Floor-standing single lever bath mixer, baton hand shower, shower hose, shower holder
- designed to run 2 outlets
- spout 255 mm long
- Spray type mixer: normal spray
- Spray type hand shower: Rain, Mono
- Maximum flow rate (at 3 bar): 23 l/min
- Flow rate for bath spout (at 3 bar): 23 l/min
- Flow rate of hand shower (at 3 bar): 13 l/min
- ceramic cartridge
- Maximum temperature can be adjusted on installation
- diverter with automatic resetting
- Non-return valve
- Noise class: I
- Connection type: basic set
- Min. operating pressure: 1 bar
- Max. operating pressure: 5 bar
- WRAS 2205051
- WRAS 2205051 - Approval letter

Article Details

Price excl. VAT £ 2,933.59

Technology



Certificates



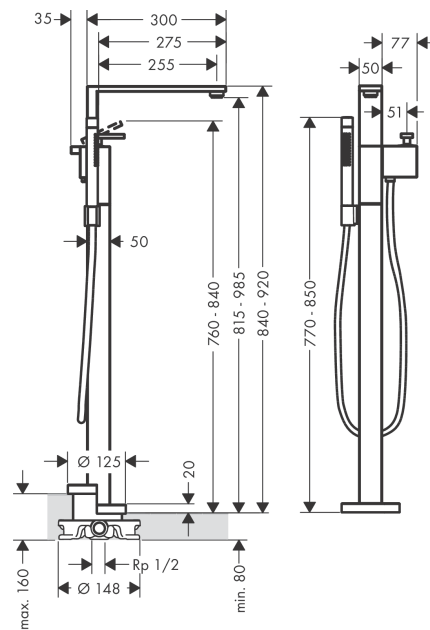
AXOR Edge
Single lever bath mixer floor-standing
 Surfaces: **chrome** Art. no. : **46440000**



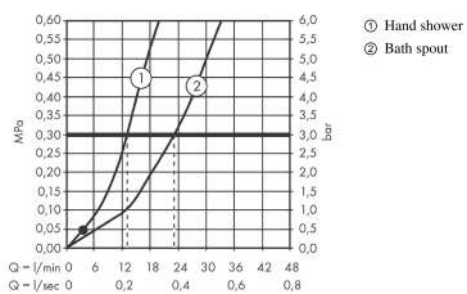
Product image



Scale drawing



Flowchart

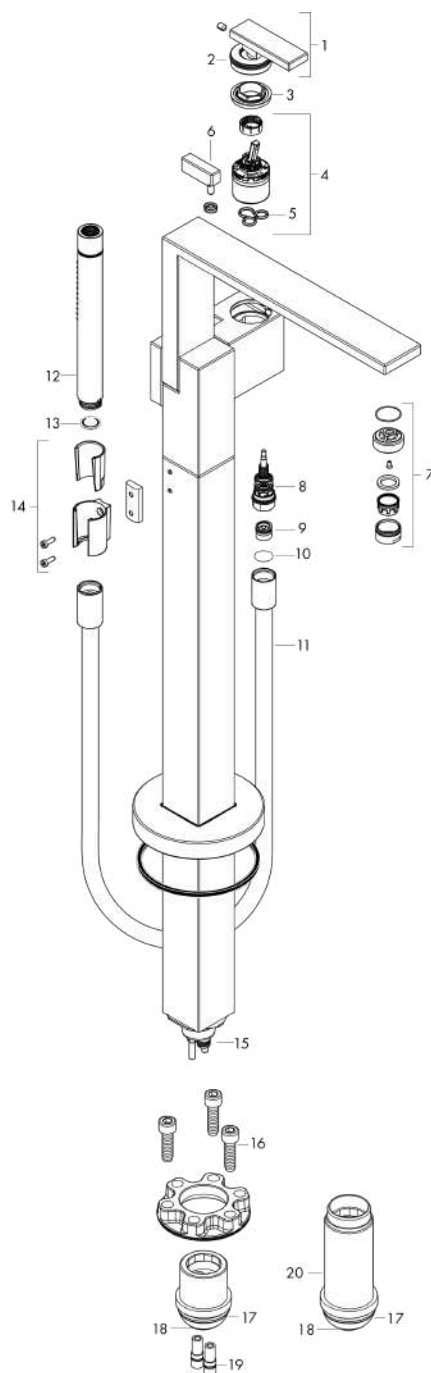


AXOR Edge
Single lever bath mixer floor-standing
 Surfaces: **chrome** Art. no. : **46440000**



Exploded Drawing

Year of production: >04/19



AXOR Edge
Single lever bath mixer floor-standing
 Surfaces: **chrome** Art. no. : **46440000**



Spare part list

Year of production: >04/19

Pos.		Art. no.	Price	PU
1	handle	93424000	-	1
2	O-ring 33x1,5	98164000	-	1
3	nut	93363000	-	1
4	cartridge, assy	93185000	-	1
5	seal	95008000	-	1
6	diverter knob	93652000	-	1
7	aerator M24x1	93629000	-	1
8	selector	97978000	-	1
9	set of non return valves DW 15	94074000	-	1
10	seal	98058000	-	1
11	shower hose 1,25 m	28282000	-	1
12	handshower	28532000	-	1
13	filter packing	94246000	-	1
14	shower holder, assy	96295000	-	1
15	O-ring 9x1,5	98117000	-	1
16	hexagon socket screw M10x35	97670000	-	1
17	O-ring 44x2,5	98162000	-	1
18	O-ring 29x3	98371000	-	1
19	O-ring 7x2	98419000	-	1
20	extension set 60 mm	97686000	-	1
a	concealed item	10452180	-	1