

## AXOR Edge

Thermostat for exposed/ concealed installation for 2 functions

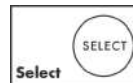
Surfaces: **Chrome** Article Number: **46240000**



### product features

- 2 functions
- depending on volume flow and installation situation approx. 50% flow rate reduction
- Select push-button on/off control for 2 outlets
- simultaneous use of several outlets
- maximum flow rate at 3 bar: 24 l/min
- thermostat cartridge
- safety lock at 40 °C
- temperature limitation adjustable
- non-return valve
- shelf made of safety glass
- surface shelf: frosted grey glass
- connection type: basic set
- connection dimension: DN15
- min. operating pressure: 1 bar
- max. operating pressure: 10 bar
- Thermostat is delivered with buttons hand shower and Rain large

### Technology



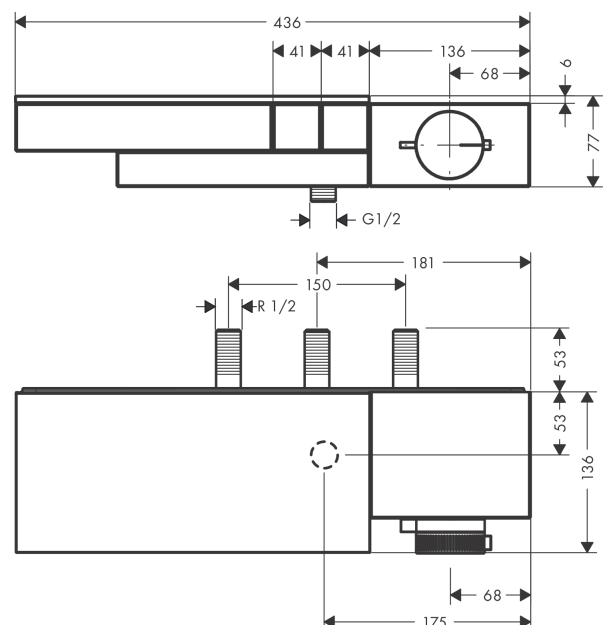
### Certificates



### Product image



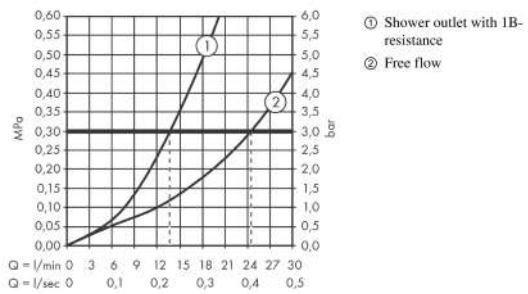
### Scale drawing



**AXOR Edge**  
**Thermostat for exposed/ concealed installation for 2 functions**  
 Surfaces: **Chrome**    Article Number: **46240000**



## Flowchart

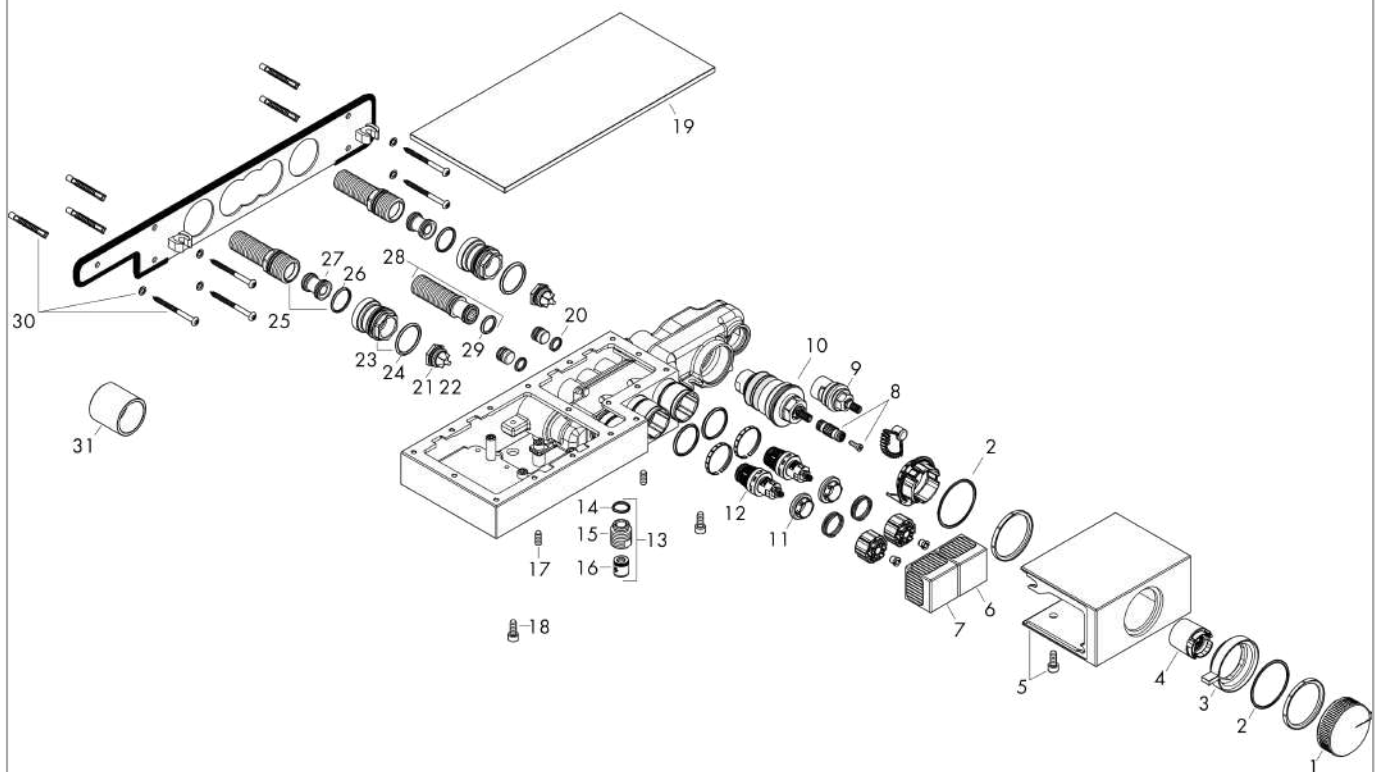


**AXOR Edge**  
**Thermostat for exposed/ concealed installation for 2 functions**  
Surfaces: **Chrome** Article Number: **46240000**



## Exploded Drawing

Year of production: >04/19



**AXOR Edge**  
**Thermostat for exposed/ concealed installation for 2 functions**  
 Surfaces: **Chrome** Article Number: **46240000**



## Spare part list

Year of production: >04/19

Pos.		Article Number	Price	PU
1	handle for thermostat	93610000	€ 249,90	1
2	O-Ring 50x2	98187000	€ 3,21	1
3	handle	93614000	€ 249,90	1
4	sleeve	93613000	€ 18,33	1
5	cover	93615000	€ 2.159,26	1
6	symbol handshower	93607000	€ 329,87	1
7	symbol head shower Rain small	93608000	€ 329,87	1
8	adapter for handle	93611000	€ 86,16	1
9	shut off unit	98536000	€ 70,57	1
10	thermostat cartridge	96633000	€ 124,95	1
11	nut	98368000	€ 11,31	1
12	shut off unit	95758000	€ 100,44	1
13	Hose Connection	96044000	€ 22,37	1
14	O-ring 14x2	98129000	€ 3,21	1
15	connecting thread	95392000	€ 18,33	1
16	set of non return valves DW 15	94074000	€ 13,92	1
17	hollow set screw M6x16 including o-ring 29x3	98372000	€ 8,45	1
18	hexagon socket screw M6x16	92857000	€ 3,21	1
19	shelf	93616000	€ 124,95	1
20	O-ring 11x2	98127000	€ 3,21	1
21	non return valve (pressure-resistant up to 2 MPa)	95773000	€ 28,20	1
22	O-ring 17x2	98199000	€ 3,21	1
23	adapter for ball S - union	02026000	-	1
24	O-ring 29x3	98371000	€ 5,24	1
25	set of connecting threads	93231000	€ 57,12	1
26	O-ring 23x2	98398000	€ 3,21	1
27	noise reduction	96429000	€ 5,24	1
28	connecting thread	93232000	€ 35,94	1
29	O-ring 15x2,5	98131000	€ 3,21	1
30	mounting set	92841000	€ 8,45	1
31	fit-up aid	93612000	€ 70,57	1