

## AXOR One

### Hand shower 2jet

Surfaces: **Brushed Black Chrome**

Article Number: **45720340**

#### product features

- shower head size: 124 x 24 mm
- spray type: Rain, flood spray
- convenient diversion via Select button
- maximum flow rate at 3 bar: 12 l/min
- flow rate Mono spray (at 3 bar): 12 l/min
- flow rate Rain spray (at 3 bar): 12 l/min
- minimum flow pressure: 2,4 bar
- with internal water conduction
- rinseable screen seal
- connection thread G ½
- connection dimension: DN15
- suitable for continuous flow water heaters
- not recommended for rim-/ tile-mounted mixers

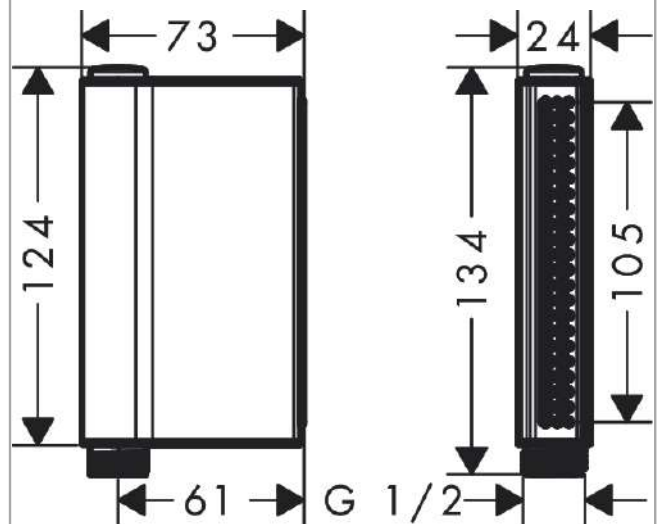
#### Technology



#### Product image



#### Scale drawing



**AXOR One**  
**Hand shower 2jet**  
Surfaces: **Brushed Black Chrome**    Article Number: **45720340**

## Flowchart

