

AXOR One
Hand shower 2jet
 Surfaces: **Chrome** Article Number: **45720000**



product features

- shower head size: 124 x 24 mm
- spray type: Rain, flood spray
- convenient diversion via Select button
- maximum flow rate at 3 bar: 12 l/min
- flow rate Mono spray (at 3 bar): 12 l/min
- flow rate Rain spray (at 3 bar): 12 l/min
- minimum flow pressure: 2,4 bar
- with internal water conduction
- rinseable screen seal
- connection thread G ½
- connection dimension: DN15
- suitable for continuous flow water heaters
- not recommended for rim-/ tile-mounted mixers

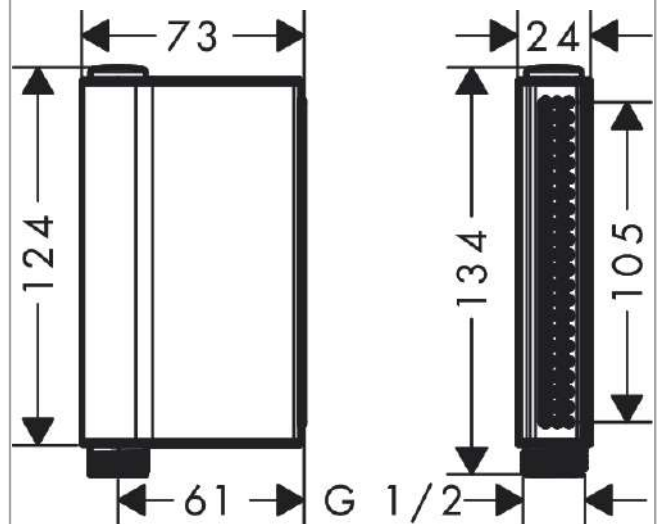
Technology



Product image



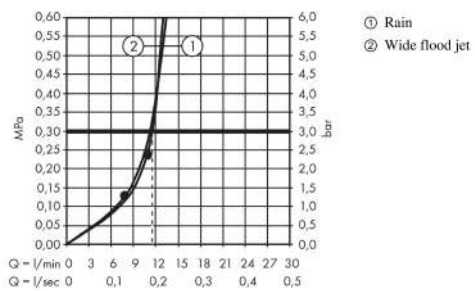
Scale drawing



AXOR One
Hand shower 2jet
 Surfaces: **Chrome** Article Number: **45720000**



Flowchart

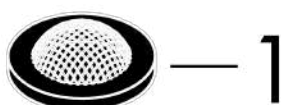
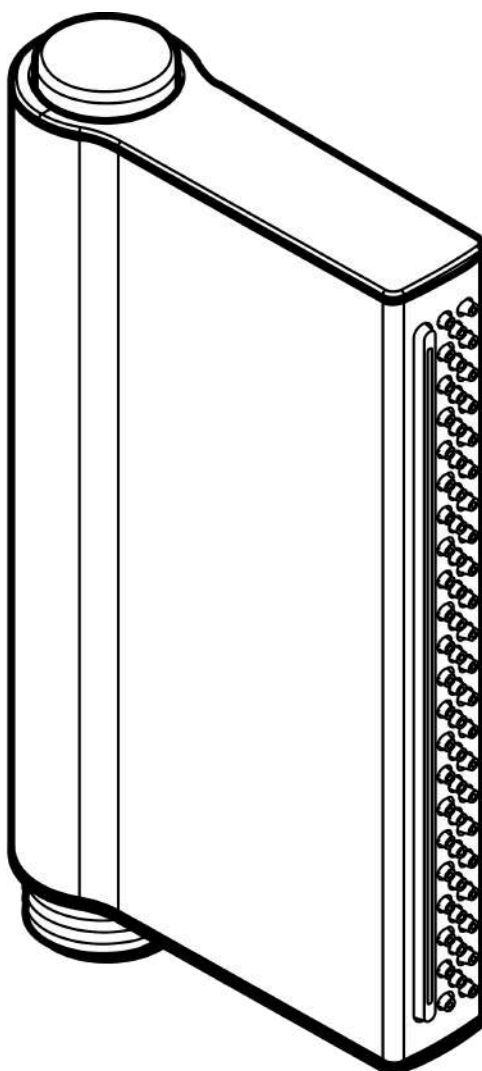


AXOR One
Hand shower 2jet
Surfaces: **Chrome** Article Number: **45720000**



Exploded Drawing

Year of production: >04/17



AXOR One
Hand shower 2jet
Surfaces: **Chrome** Article Number: **45720000**



Spare part list

Year of production: >04/17

Pos.		Article Number	Price	PU
1	filter packing	94246000	€ 3,21	1