

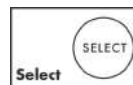
AXOR One
Thermostatic module for concealed installation for 2 functions
Surfaces: **Brushed Nickel** Article Number: **45712820**



product features

- 2 functions and 1 additional outlet
- Eco-Function: flow rate regulation via lever handle
- depending on volume flow and installation situation approx. 50% flow rate reduction
- comfortable turning on / off of consumers with large Select-paddle
- simultaneous use of several outlets
- maximum flow rate at 3 bar: 30 l/min
- flow rate per outlet: 24 l/min
- flow rate by simultaneous use of all outlets: 30 l/min
- thermostat cartridge, Start/stop valve to operate the functions
- safety lock at 40 °C
- temperature limitation adjustable
- the thermostat offers the possibility for thermal disinfection
- non-return valve
- connection type: basic set
- min. operating pressure: 1 bar
- max. operating pressure: 5 bar
- Thermostat is delivered with buttons hand shower and Rain large

Technology



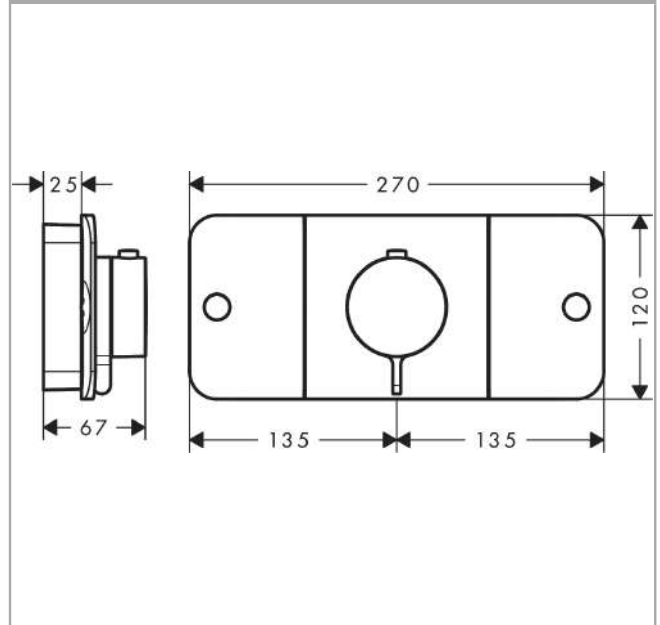
AXOR One
Thermostatic module for concealed installation for 2 functions
 Surfaces: **Brushed Nickel** Article Number: **45712820**



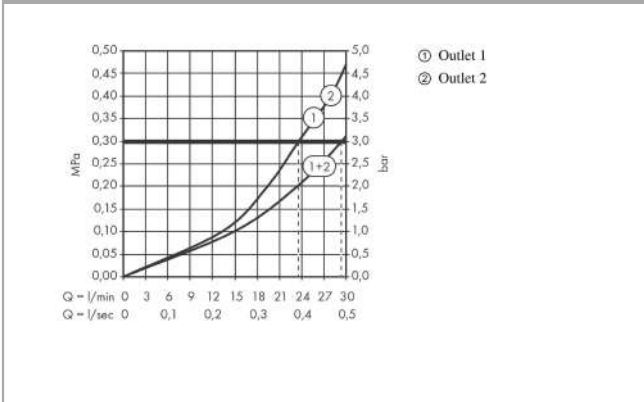
Product image



Scale drawing



Flowchart

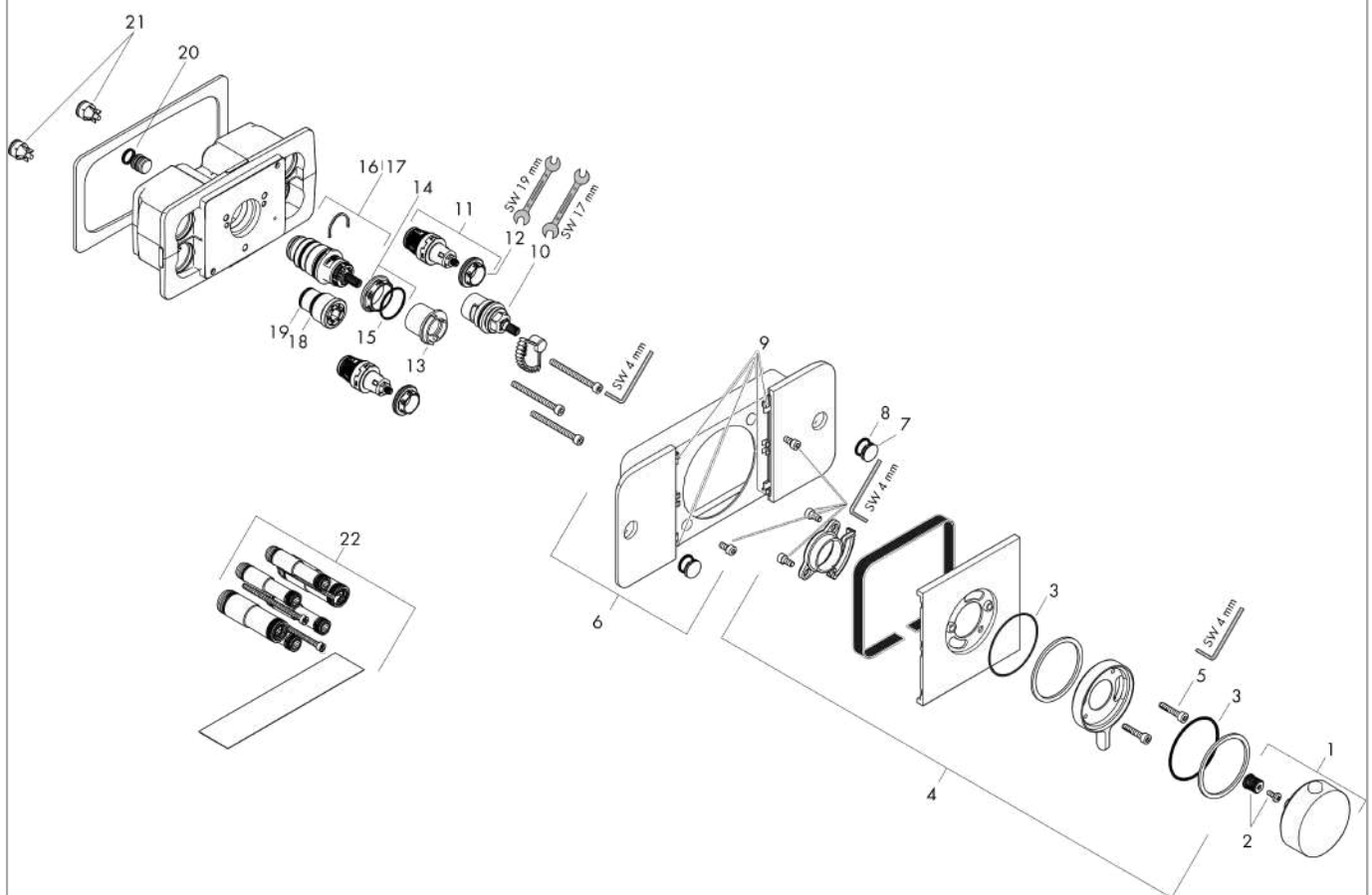


AXOR One
Thermostatic module for concealed installation for 2 functions
 Surfaces: **Brushed Nickel** Article Number: **45712820**



Exploded Drawing

Year of production: >11/16



AXOR One
Thermostatic module for concealed installation for 2 functions
 Surfaces: **Brushed Nickel** Article Number: **45712820**



Spare part list

Year of production: >11/16

Pos.		Article Number	Price	PU
1	handle for thermostat	92600820	€ 187,40	1
2	handle fixing set	98932000	€ 13,92	1
3	O-ring 57x2	98210000	€ 3,21	1
4	escutcheon	92599820	€ 187,43	1
5	hexagon socket screw M5x25	97664000	€ 3,21	1
6	control panel	92612820	€ 762,55	1
7	set of symbols	92541830	€ 162,08	1
8	O-ring 13x2	98128000	€ 3,21	1
9	set of lever collars	93121000	€ 3,21	1
10	shut off unit	98536000	€ 70,57	1
11	shut off unit	95758000	€ 100,44	1
12	nut	98368000	€ 11,31	1
13	safety set	92614000	€ 28,20	1
14	nut	98913000	€ 18,33	1
15	O-ring 26x1,5	98390000	€ 3,21	1
16	thermostat cartridge	98282000	€ 100,44	1
17	cartridge for exchanged connections	92373000	€ 249,90	1
18	O-ring 21x1,5	98219000	€ 3,21	1
19	O-ring 17x1,5	98137000	€ 3,21	1
20	O-ring 11x2	98127000	€ 3,21	1
21	non return valve (pressure-resistant up to 2 MPa)	92594000	€ 13,92	1
22	extension 25 mm	45790000	-	1
a	base body	45710180	-	1