

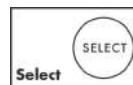
AXOR One
Thermostatic module for concealed installation for 2 functions
Surfaces: **Matt Black** Article Number: **45712670**



product features

- 2 functions and 1 additional outlet
- Eco-Function: flow rate regulation via lever handle
- depending on volume flow and installation situation approx. 50% flow rate reduction
- comfortable turning on / off of consumers with large Select-paddle
- simultaneous use of several outlets
- maximum flow rate at 3 bar: 30 l/min
- flow rate per outlet: 24 l/min
- flow rate by simultaneous use of all outlets: 30 l/min
- thermostat cartridge, Start/stop valve to operate the functions
- safety lock at 40 °C
- temperature limitation adjustable
- the thermostat offers the possibility for thermal disinfection
- non-return valve
- connection type: basic set
- min. operating pressure: 1 bar
- max. operating pressure: 5 bar
- Thermostat is delivered with buttons hand shower and Rain large

Technology



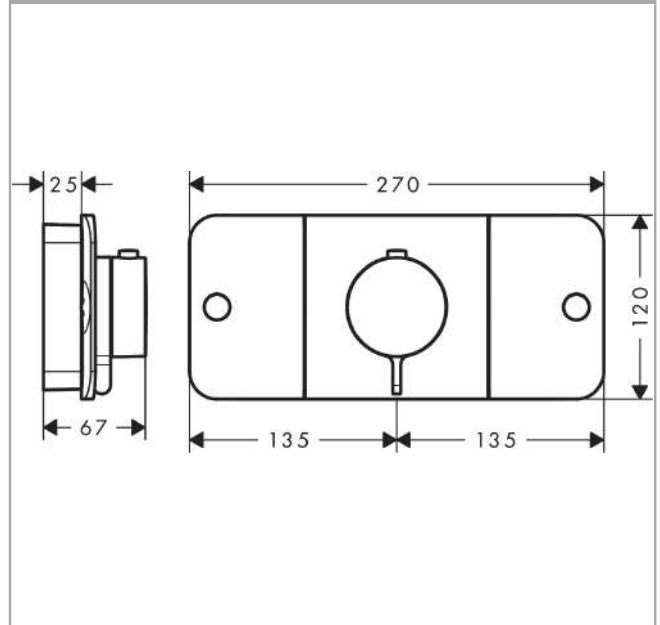
AXOR One
Thermostatic module for concealed installation for 2 functions
 Surfaces: **Matt Black** Article Number: **45712670**



Product image



Scale drawing



Flowchart

