

Basic set for thermostat for exposed/ concealed installation for 2 functions
Surfaces: n.a. Article Number: 45442180



product features

- connection dimension: Rp 1/2
- sound-decoupled installation
- minimum mounting depth: 46 mm
- maximum mounting depth: 74 mm

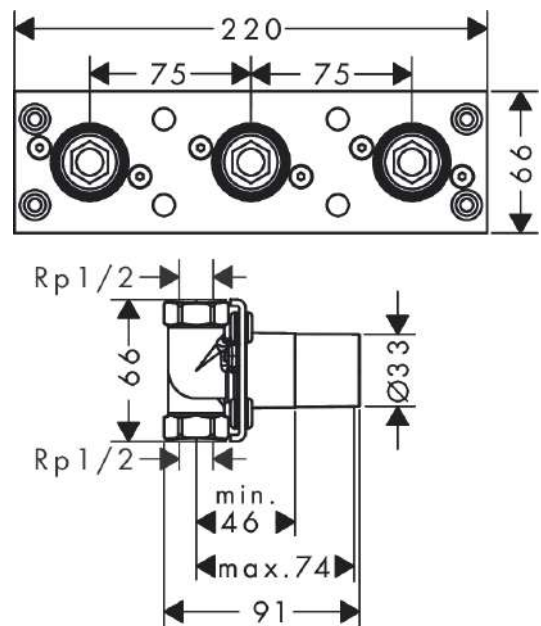
Certificates



Product image



Scale drawing

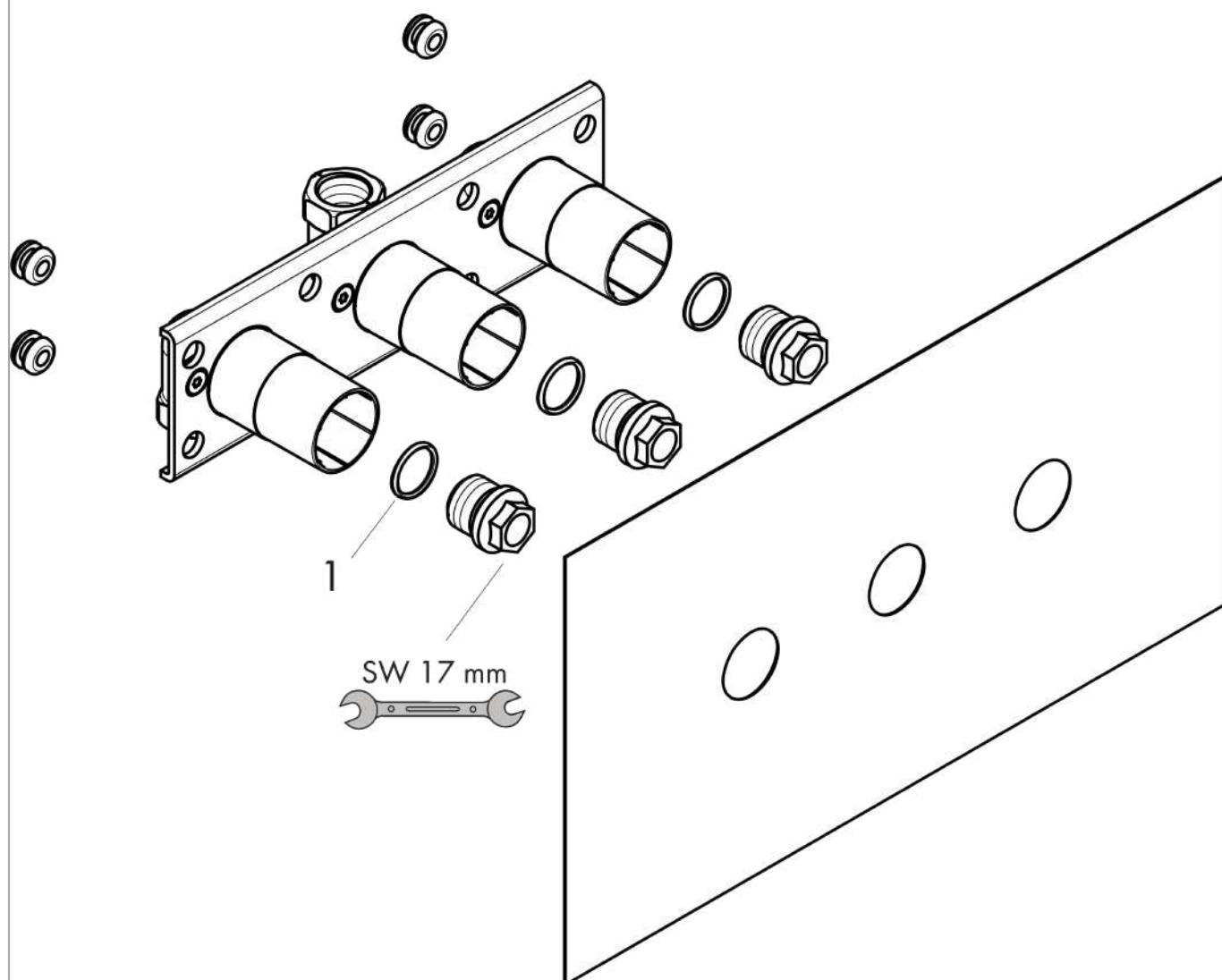


Basic set for thermostat for exposed/ concealed installation for 2 functions
Surfaces: n.a. Article Number: 45442180



Exploded Drawing

Year of production: >10/17



Basic set for thermostat for exposed/ concealed installation for 2 functions
Surfaces: n.a. Article Number: 45442180



Spare part list

Year of production: >10/17

Pos.		Article Number	Price	PU
1	O-ring 18x2	98181000	€ 5,24	1