

**AXOR Uno**  
**Bath spout curved**  
 Surfaces: **Brushed Nickel**    Article Number: **38411820**



### product features

- 1 function
- with escutcheon
- projection 178 mm
- wall-mounted
- maximum flow rate at 3 bar: 19 l/min
- connection dimension: DN20
- spray type: normal spray

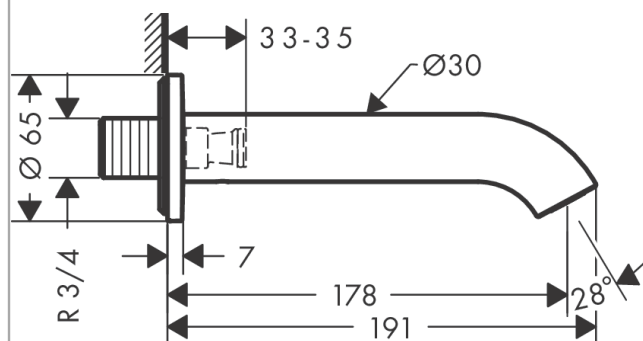
### Technology



### Product image



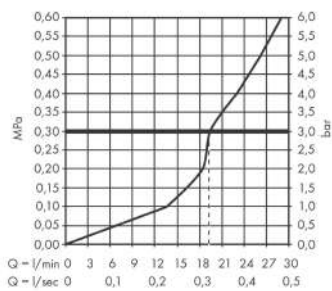
### Scale drawing



**AXOR Uno**  
**Bath spout curved**  
 Surfaces: **Brushed Nickel**    Article Number: **38411820**



## Flowchart



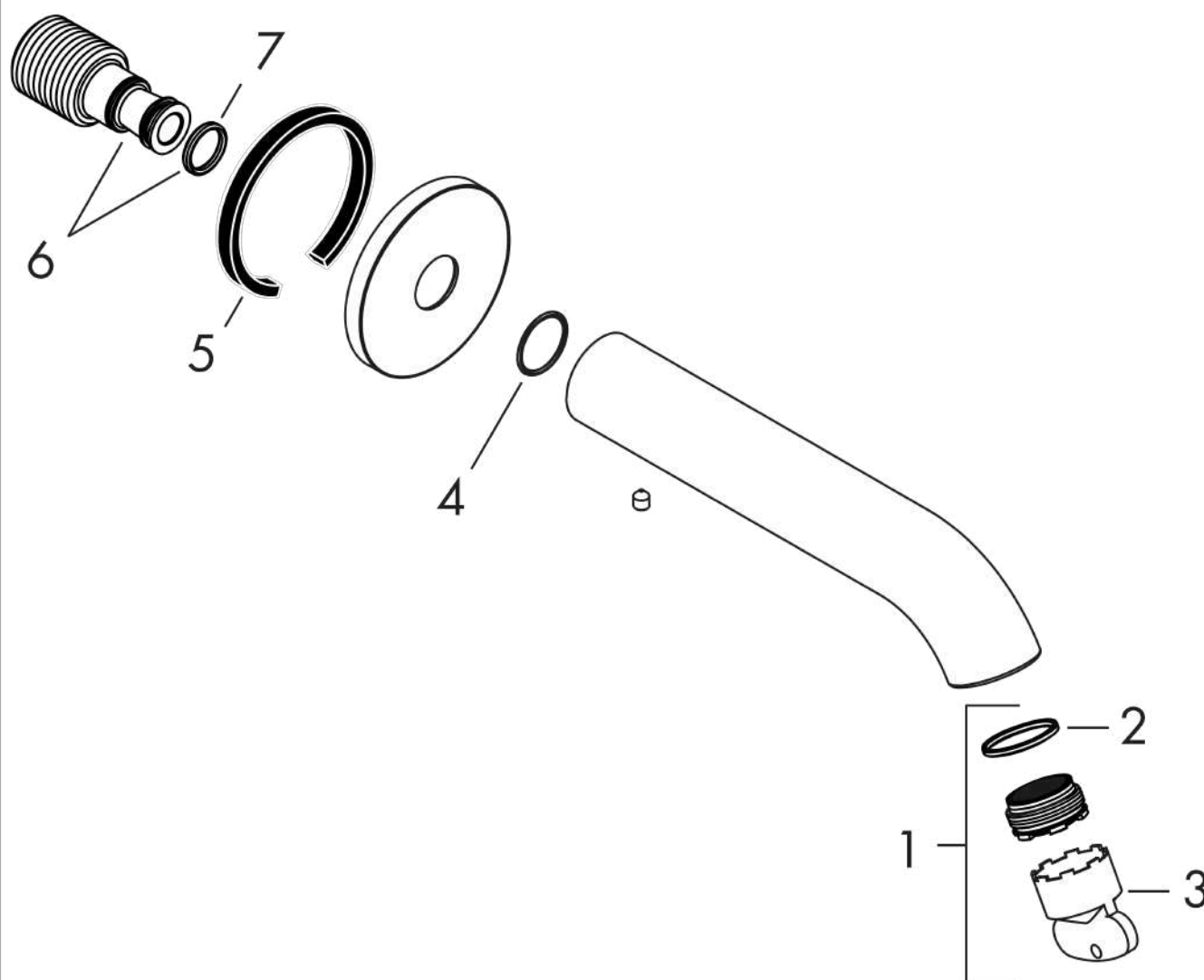
The consumption was measured in combination with the appropriate fittings (thermosta/mixer/ in-wall valve) to reflect actual application in practice.

**AXOR Uno**  
**Bath spout curved**  
Surfaces: **Brushed Nickel**    Article Number: **38411820**



## Exploded Drawing

Year of production: >04/17



**AXOR Uno**  
**Bath spout curved**  
 Surfaces: **Brushed Nickel**    Article Number: **38411820**



## Spare part list

Year of production: >04/17

Pos.		Article Number	Price	PU
1	aerator M24x1 C	92934000	€ 18,33	1
2	O-ring 20x1,5	98197000	€ 3,21	1
3	special tool	95290000	€ 8,45	1
4	O-ring 18x1,5	98231000	€ 3,21	1
5	seal	97530000	€ 5,24	1
6	connecting thread G $\frac{3}{4}$	92504000	€ 57,12	1
7	O-ring 13x2	98128000	€ 3,21	1