

AXOR Uno

Electronic basin mixer for concealed installation wall-mounted with spout 225 mm

Surfaces: **Polished Black Chrome** Article Number: **38120330**



product features

- projection 225 mm
- spray type: normal spray
- maximum flow rate at 3 bar: 5 l/min
- temperature adjustable via iBox
- infrared sensor technology
- automatic environmental adjustment of infrared sensor
- adjustable optical range of infrared sensor (5 settings)
- 230 V / 50 Hz mains connection
- hygiene rinse activatable (automatic water flow)
- frequency of hygiene rinse: 24 h
- flushing time hygiene rinse: 10 s
- permanent rinse activatable (single water flow for 180 seconds, suitable for thermal disinfection)
- cleaning mode: manual water stop for washbasin cleaning
- TÜV certified
- dirt filters in the connection hoses
- for ideal function please note a minimum distance of 140 mm from the aerators center to the back rim of the wash basin

Technology



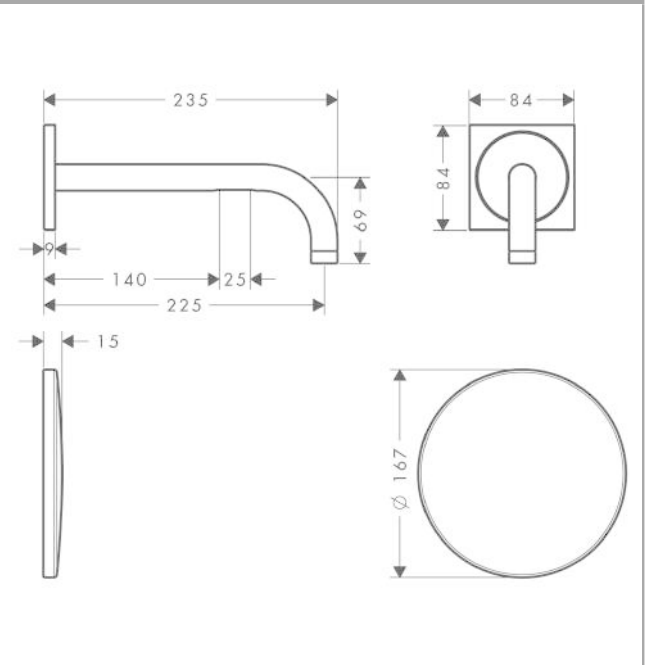
AXOR Uno
Electronic basin mixer for concealed installation wall-mounted with spout 225 mm
 Surfaces: **Polished Black Chrome** Article Number: **38120330**



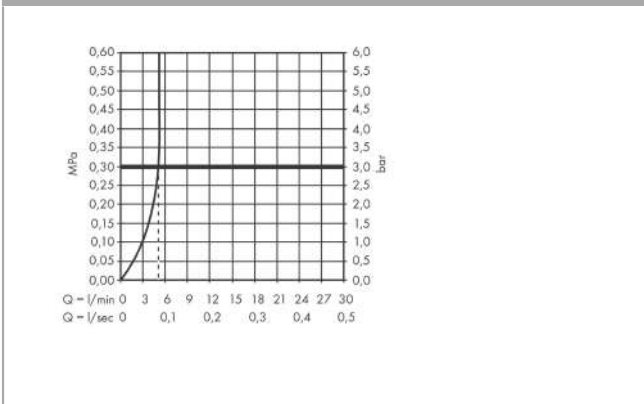
Product image



Scale drawing



Flowchart



AXOR Uno

Electronic basin mixer for concealed installation wall-mounted with spout 225 mm

Surfaces: **Polished Black Chrome** Article Number: **38120330**



Installation examples

