

AXOR Uno

Electronic basin mixer for concealed installation wall-mounted with spout 225 mm

Surfaces: **Chrome** Article Number: **38120000**



product features

- projection 225 mm
- spray type: normal spray
- maximum flow rate at 3 bar: 5 l/min
- temperature adjustable via iBox
- infrared sensor technology
- automatic environmental adjustment of infrared sensor
- adjustable optical range of infrared sensor (5 settings)
- 230 V / 50 Hz mains connection
- hygiene rinse activatable (automatic water flow)
- frequency of hygiene rinse: 24 h
- flushing time hygiene rinse: 10 s
- permanent rinse activatable (single water flow for 180 seconds, suitable for thermal disinfection)
- cleaning mode: manual water stop for washbasin cleaning
- TÜV certified
- dirt filters in the connection hoses
- for ideal function please note a minimum distance of 140 mm from the aerators center to the back rim of the wash basin

Technology



AXOR Uno

Electronic basin mixer for concealed installation wall-mounted with spout 225 mm

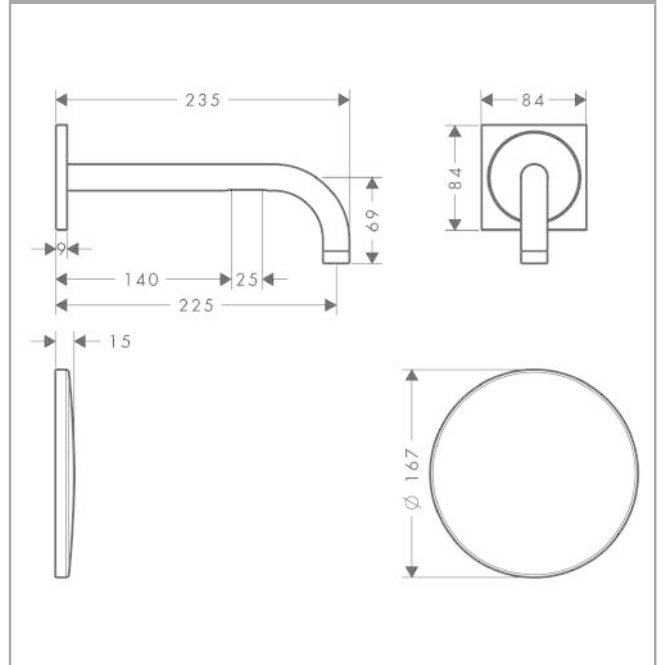
Surfaces: **Chrome** Article Number: **38120000**



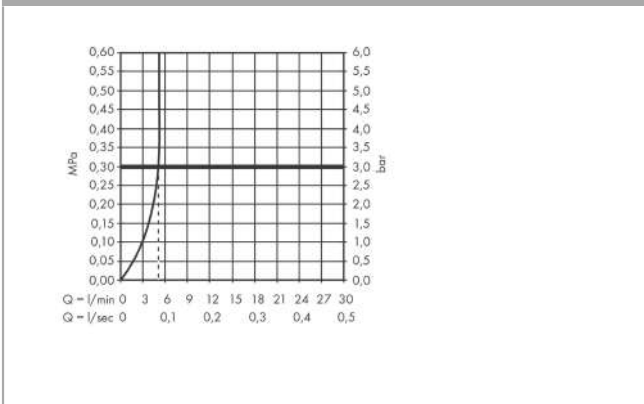
Product image



Scale drawing



Flowchart



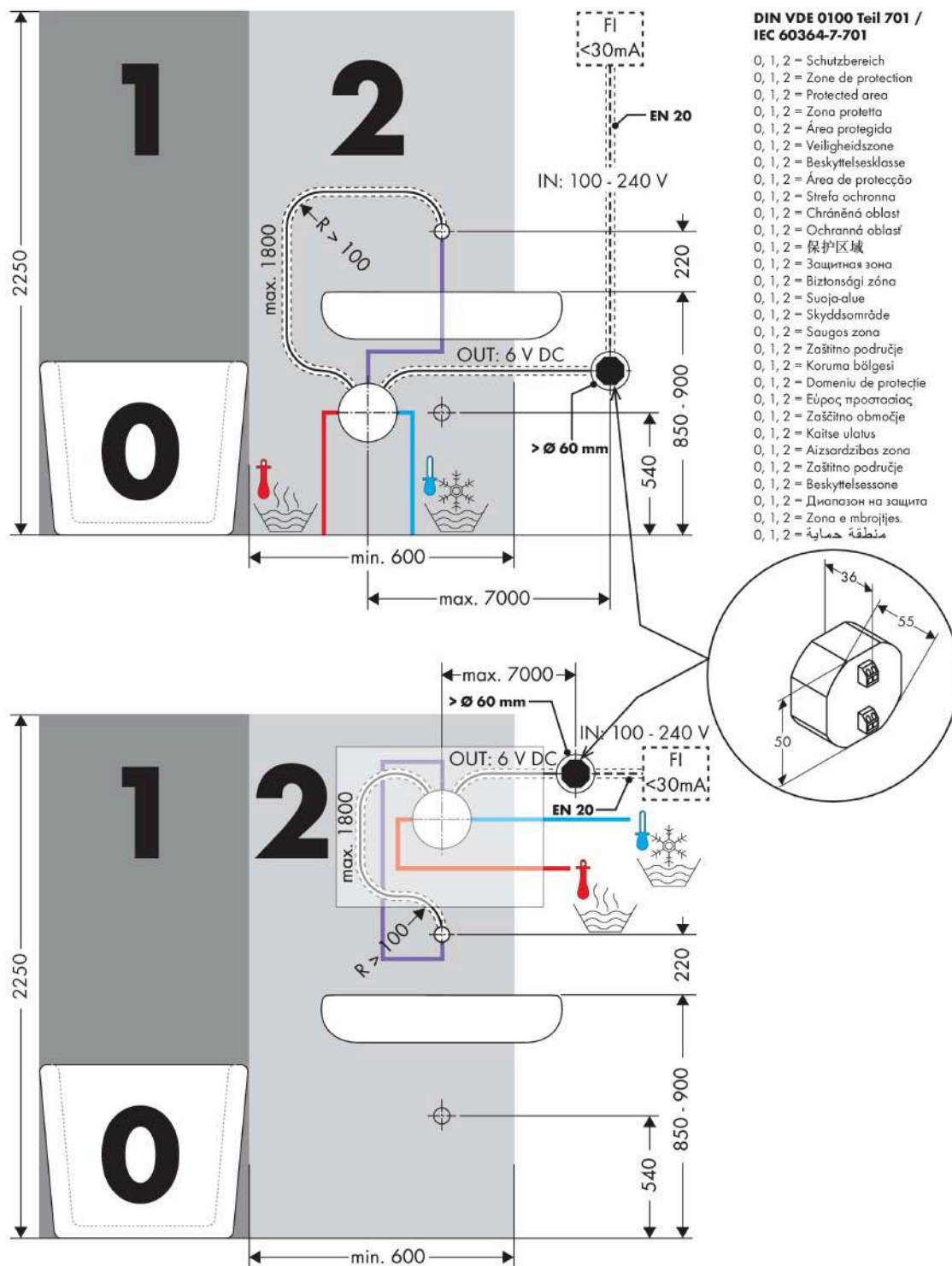
AXOR Uno

Electronic basin mixer for concealed installation wall-mounted with spout 225 mm

Surfaces: **Chrome** Article Number: **38120000**



Installation examples

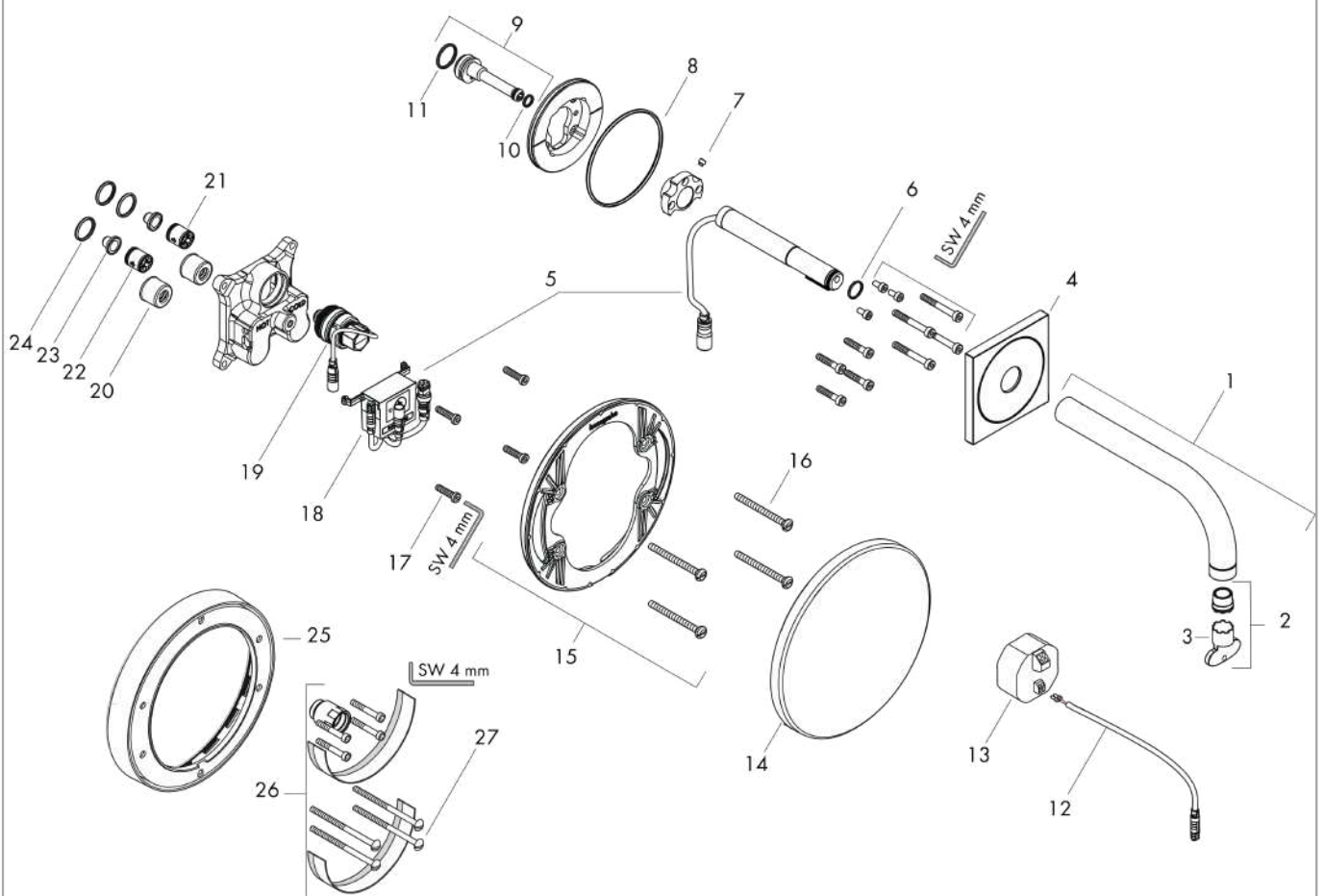


AXOR Uno
Electronic basin mixer for concealed installation wall-mounted with spout 225 mm
 Surfaces: **Chrome** Article Number: **38120000**



Exploded Drawing

Year of production: >05/20



AXOR Uno

Electronic basin mixer for concealed installation wall-mounted with spout 225 mm

Surfaces: **Chrome** Article Number: **38120000**



Spare part list

Year of production: >05/20

Pos.		Article Number	Price	PU
1	spout 225 mm	95951000	€ 329,87	1
2	aerator laminar M16,5x1 (5 l/min)	95382000	€ 35,94	1
3	special tool	98987000	€ 8,45	1
4	escutcheon	95943000	€ 100,44	1
5	electronics	95949000	€ 539,55	1
6	O-ring 12x1,5	98430000	€ 3,21	1
7	hollow set screw M6x6	97660000	€ 3,21	1
8	O-ring 76x2,5	98431000	€ 5,24	1
9	connecting thread	92449000	€ 44,63	1
10	O-ring 7x1,5	98422000	€ 3,21	1
11	O-ring 17x1,5	98137000	€ 3,21	1
12	cable for illumination (12 V)	95586000	€ 70,57	1
13	transformer	95945000	€ 203,97	1
14	escutcheon Ø 170 mm	95946000	€ 57,12	1
15	sub plate	96447000	€ 44,63	1
16	set of fixing screws	96454000	€ 8,45	1
17	set of screws	96525000	€ 8,45	1
18	control system	95947000	€ 203,97	1
19	solenoid valve 6 V	96904000	€ 249,90	1
20	noise reduction	94073000	€ 22,37	1
21	non return valve (pressure-resistant up to 2 MPa)	92594000	€ 13,92	1
22	set of non return valves DW 15	94074000	€ 13,92	1
23	filter packing	95291000	€ 11,31	1
24	O-ring 16x2	98133000	€ 3,21	1
25	extension 22 mm (Ø 170 mm)	13596000	-	1
26	extension 25 mm	13594000	-	1
27	set of fixing screws	97747000	€ 3,21	1
a	concealed item	16180180	-	1
b	conversion kit with push button	95977000	€ 539,55	1
c	extension 100 mm	92445000	€ 539,55	1