

Rim mounted bath set with hand shower

Surfaces: Article Number: **19418000**



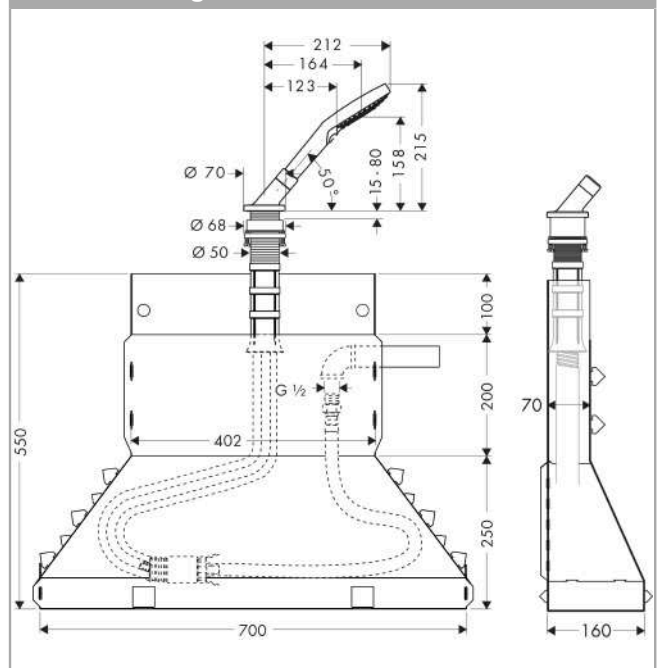
product features

- consists of: hand shower, shower holder, shower hose, Secubox, Secuflex hose brake, hose insert
- suitable for for installation on bath rim or tile surround (no mounting plate available)
- connection dimension: DN15
- drilling diameter on bath tub: Ø 50 mm
- maximum pull-out length of hand shower 1.10 m

Product image



Scale drawing



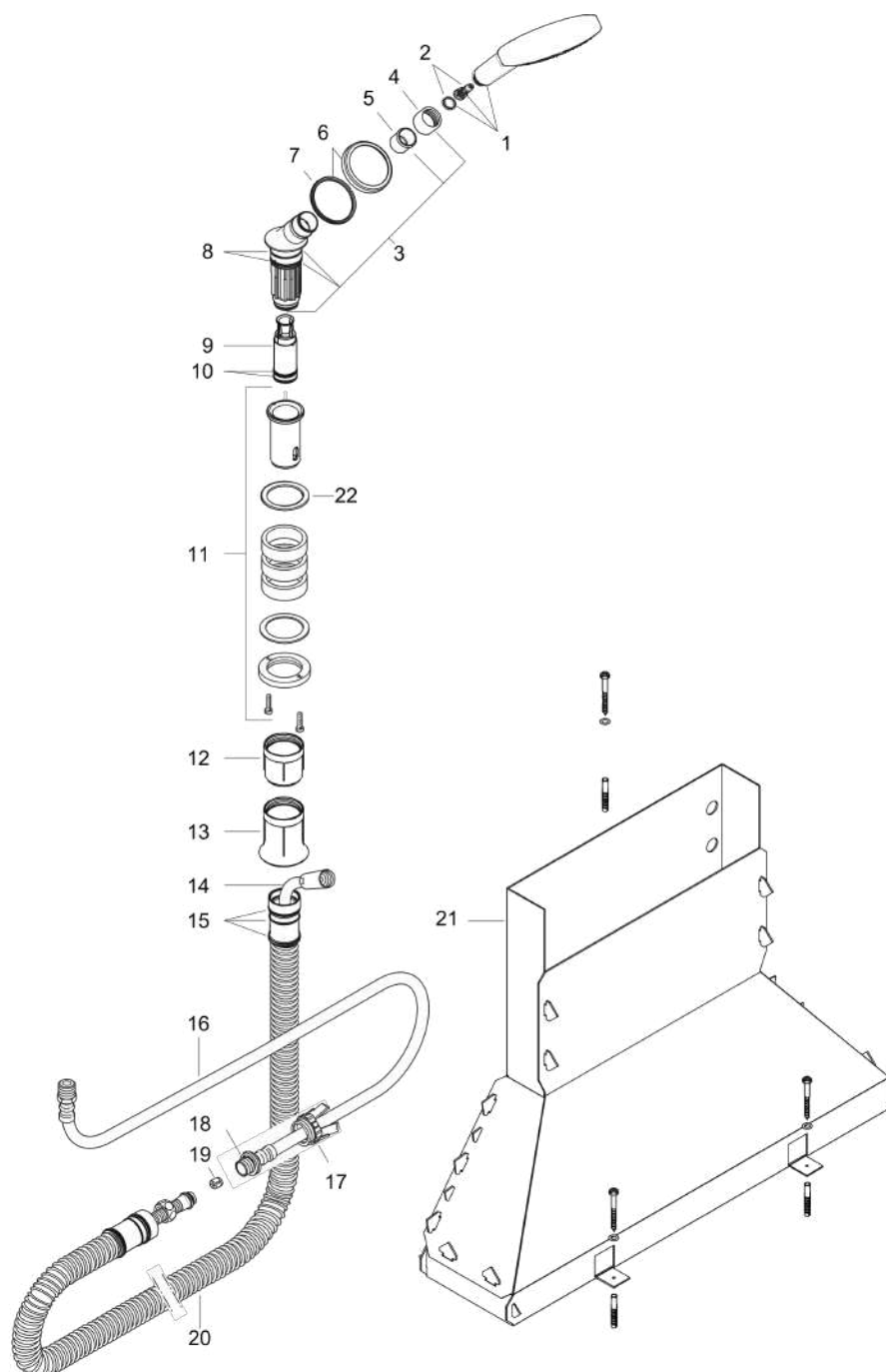
Rim mounted bath set with hand shower

Surfaces: Article Number: 19418000



Exploded Drawing

Year of production: >01/17



Rim mounted bath set with hand shower

Surfaces: Article Number: **19418000**



Spare part list

Year of production: >01/17

Pos.		Article Number	Price	PU
1	handshower	26050000	-	1
2	filter insert	97708000	€ 5,36	1
3	shower holder, assy	95996000	€ 128,28	1
4	nut	97584000	€ 14,28	1
5	insert for shower holder	96942000	€ 11,66	1
6	escutcheon for shower holder	95753000	€ 58,67	1
7	nut	97149000	€ 11,66	1
8	O-ring 38x2,5	98198000	€ 5,36	1
9	hose brake	98656000	€ 18,80	1
10	O-Ring 28x2	98194000	€ 3,33	1
11	fixing set for Secuflex	96072000	€ 72,47	1
12	sleeve	98806000	€ 5,36	1
13	guide tube	98807000	€ 5,36	1
14	shower hose 2,00 m	94148000	€ 72,47	1
15	O-ring 35x3	98435000	€ 3,33	1
16	pressure hose	94174000	€ 58,67	1
17	expended nut for Secuflex	96074000	€ 8,69	1
18	O-ring 27x2,5	98149000	€ 3,33	1
19	set of non return valves DW 15	94074000	€ 14,28	1
20	Secuflex hose 2,25 m	94108000	€ 166,48	1
21	Secuflexbox	28389000	€ 58,67	1
22	seal	92979000	€ 3,33	1
a	silicone sprayer 10 ml	97864000	€ 36,89	1