

Basic set for thermostat module Select for 4 outlets

Surfaces: Art. no. : **18312180**



product features

- 4 outlets
- Connection thread Rp 3/4
- Operating pressure: min. 1 bar/max. 10 bar
- horizontal installation
- if running with a pump, please specify a universal (negative head) pump
- minimum mounting depth: 87 mm
- maximum mounting depth: 122 mm
- WRAS 2006331
- WRAS 2006331 - WRAS 2006331_approval_letter

Article Details

Price excl. VAT

£ 1,292.91

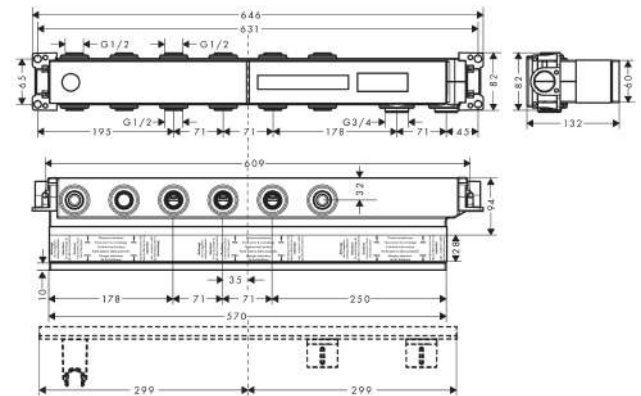
Certificates



Product image



Scale drawing



Basic set for thermostat module Select for 4 outlets

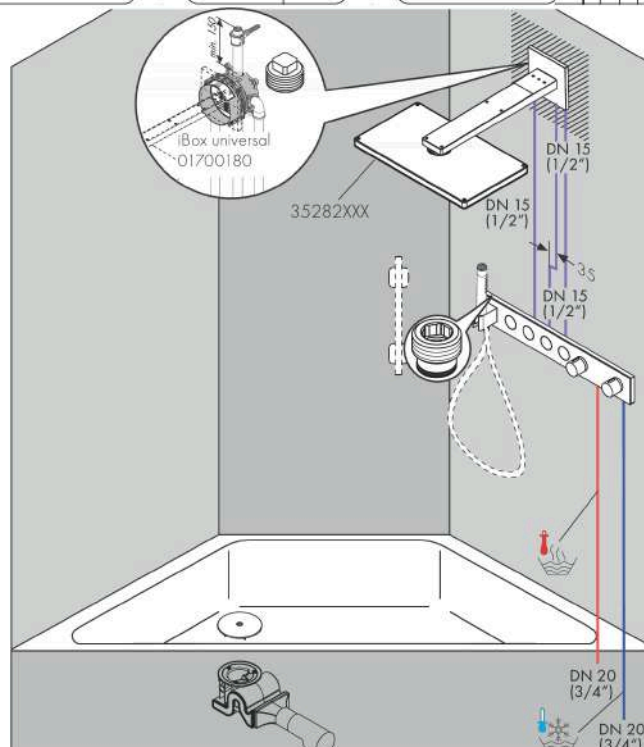
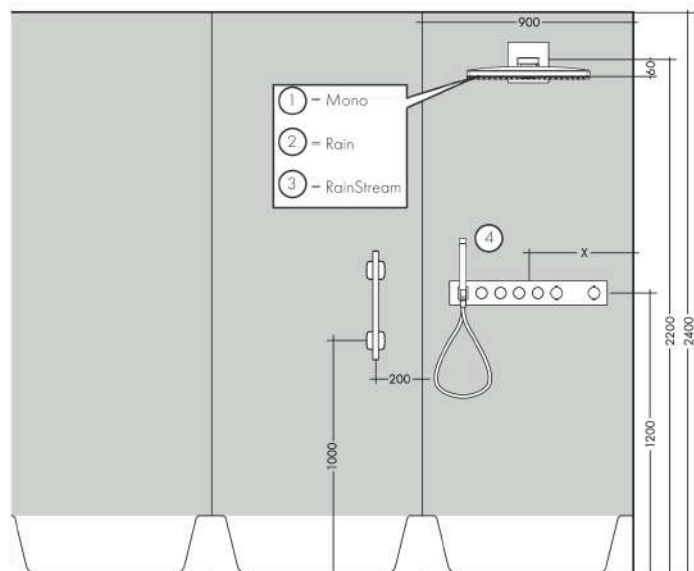
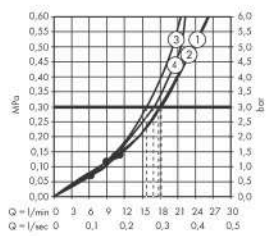
Surfaces: Art. no. : **18312180**



Installation examples

AXOR Select

1831218X/18357XXX



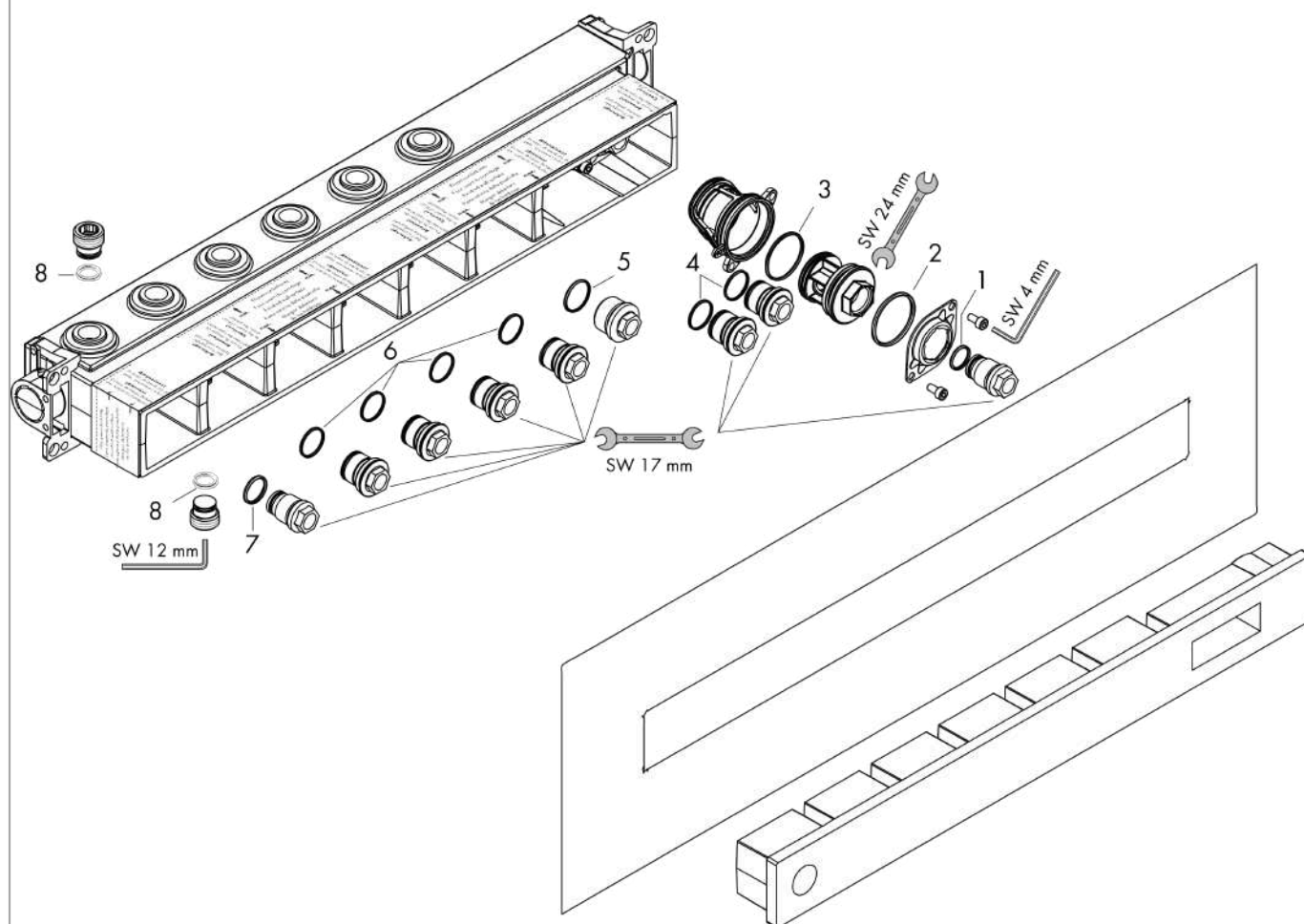
Basic set for thermostat module Select for 4 outlets

Surfaces: Art. no. : 18312180



Exploded Drawing

Year of production: >10/17



Basic set for thermostat module Select for 4 outlets

Surfaces: Art. no. : **18312180**



Spare part list

Year of production: >10/17

Pos.		Art. no.	Price	PU
1	O-ring 15x2	98163000	-	1
2	O-ring 38x2,5	98198000	-	1
3	O-ring 34x2	98383000	-	1
4	O-ring 20x2	98165000	-	1
5	O-ring 21,95x1,78	95169000	-	1
6	O-ring 20x1,5	98197000	-	1
7	O-ring 18x2	98181000	-	1
8	O-ring 13x2	98128000	-	1
a	extension 25 mm	93434000	-	1