

## Basic set for thermostat module Select for 3 outlets

Surfaces: Art. no. : **18311180**



### product features

- designed to run 3 outlets
- Connection thread Rp 3/4
- Operating pressure: min. 1 bar/max. 10 bar
- horizontal installation
- if running with a pump, please specify a universal (negative head) pump
- minimum mounting depth: 87 mm
- maximum mounting depth: 122 mm
- WRAS 2006331
- WRAS 2006331 - WRAS 2006331\_approval\_letter

### Article Details

Price excl. VAT

£ 1,132.41

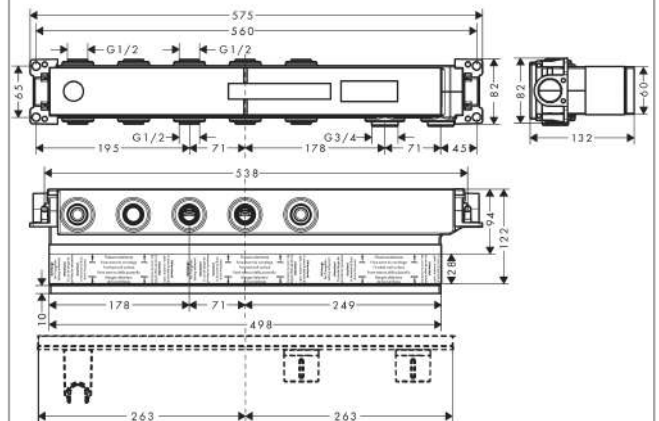
### Certificates



### Product image



### Scale drawing



## Basic set for thermostat module Select for 3 outlets

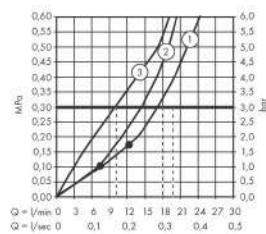
Surfaces: Art. no. : 18311180



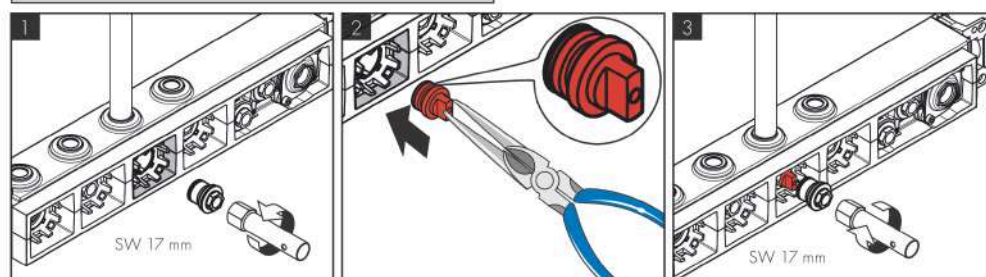
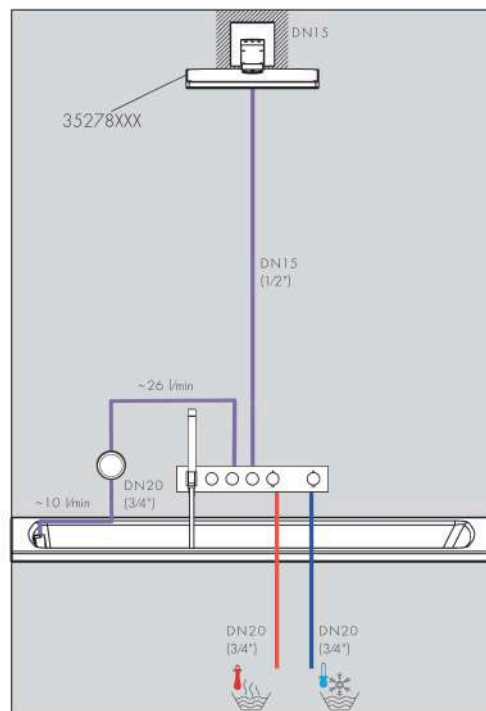
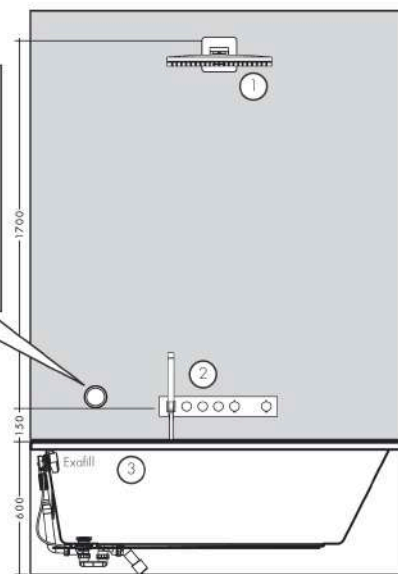
### Installation examples

AXOR Select

1831118X/18356XXX



Rohrunterbrecher / Disconnecteur / Pipe interrupter / Valvola antiriflusso / Interruptor de tubería / Buisbeluichter / Rerofbryder / Válvul a anti-retorn / Przewywoz rurowy / oddélováč trubky / Pretušenie potrubia / 管道断线器 / Πιπερωστώνη ρυθμό / Csőmegszakító / Putkikatka / Rörventil / Vamzdžia pertrauklis / Ventil cijevi / Boru kesici / Valvã de oprire / Διακοπή σωλήνα / Prekinjalnik cevi / taunikasti / Caurules atdalītājs / Element za regulaciju pritiska u cevi vazduhom / Rerobryter / Tpsdien npekacean / Nderprerës i tubit / قاطع الادماءورة



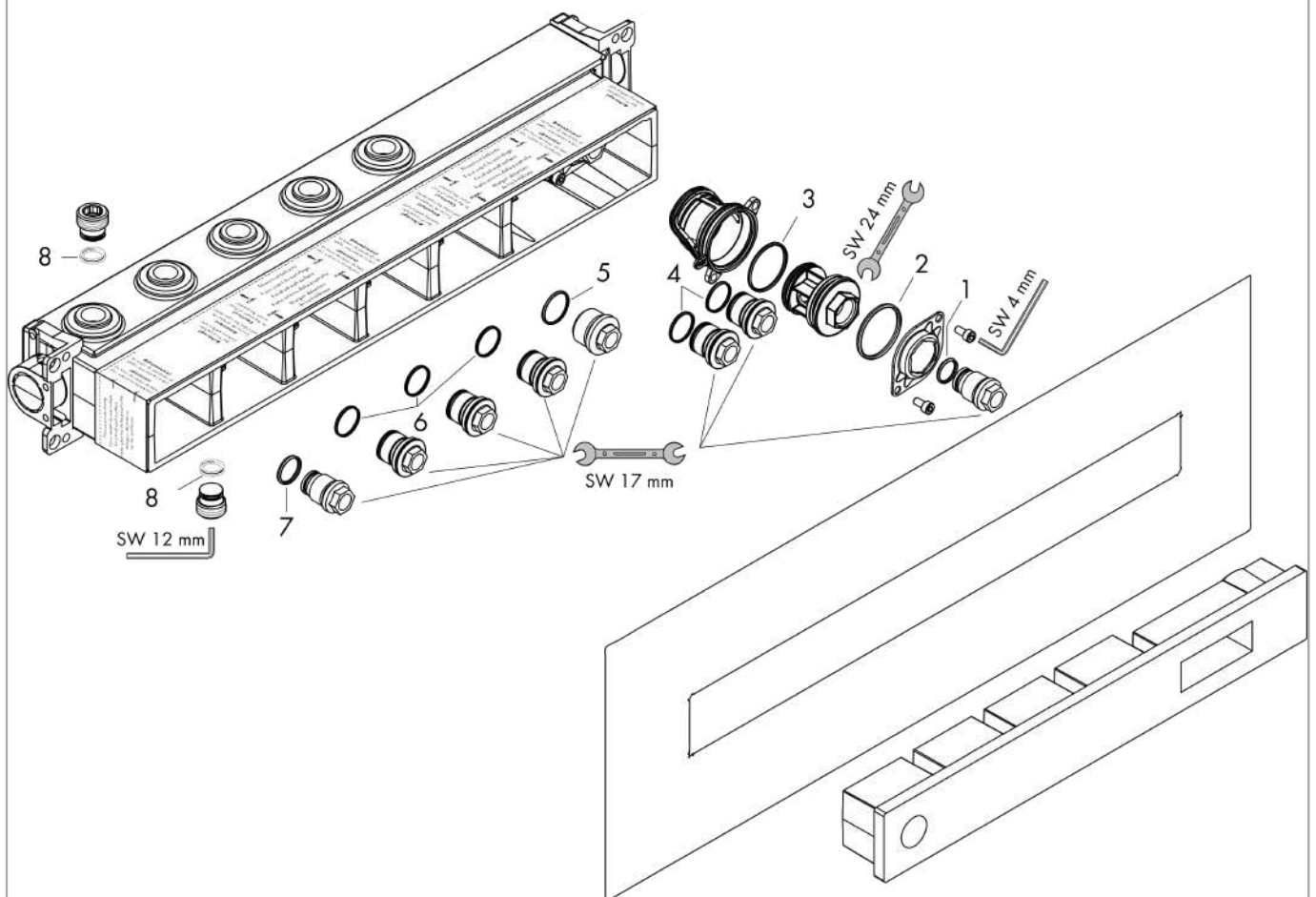
## Basic set for thermostat module Select for 3 outlets

Surfaces: Art. no. : 18311180



### Exploded Drawing

Year of production: >10/17



**Basic set for thermostat module Select for 3 outlets**

Surfaces: Art. no. : **18311180**



**Spare part list**

Year of production: >10/17

Pos.		Art. no.	Price	PU
1	O-ring 15x2	98163000	-	1
2	O-ring 38x2,5	98198000	-	1
3	O-ring 34x2	98383000	-	1
4	O-ring 20x2	98165000	-	1
5	O-ring 21,95x1,78	95169000	-	1
6	O-ring 20x1,5	98197000	-	1
7	O-ring 18x2	98181000	-	1
8	O-ring 17x1,5	98137000	-	1
9	O-ring 13x2	98128000	-	1
a	extension 25 mm	93433000	-	1