

**Basic set 52 l/min for shut-off valve for concealed installation spindle**  
 Surfaces: n.a. Article Number: 16973180



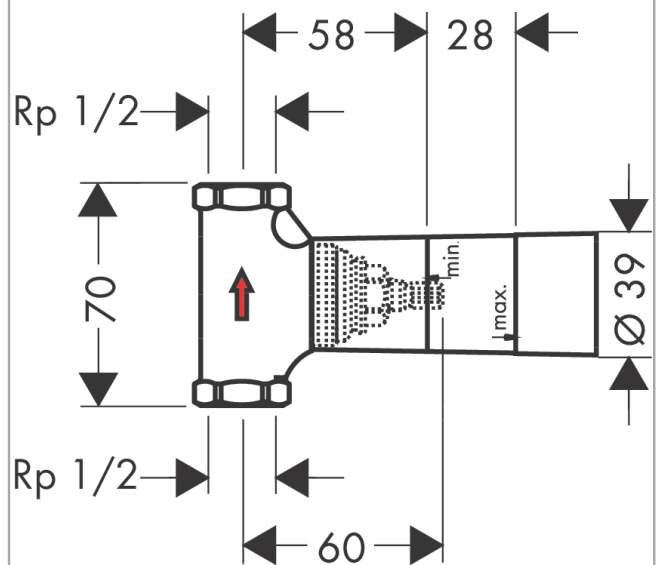
### product features

- connection type: DN15
- suitable for all shut-off valves finish sets
- connection dimension: DN15
- maximum flow rate at 3 bar: 52 l/min

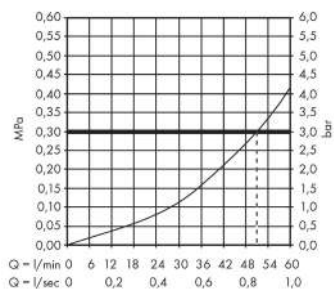
### Product image



### Scale drawing



### Flowchart

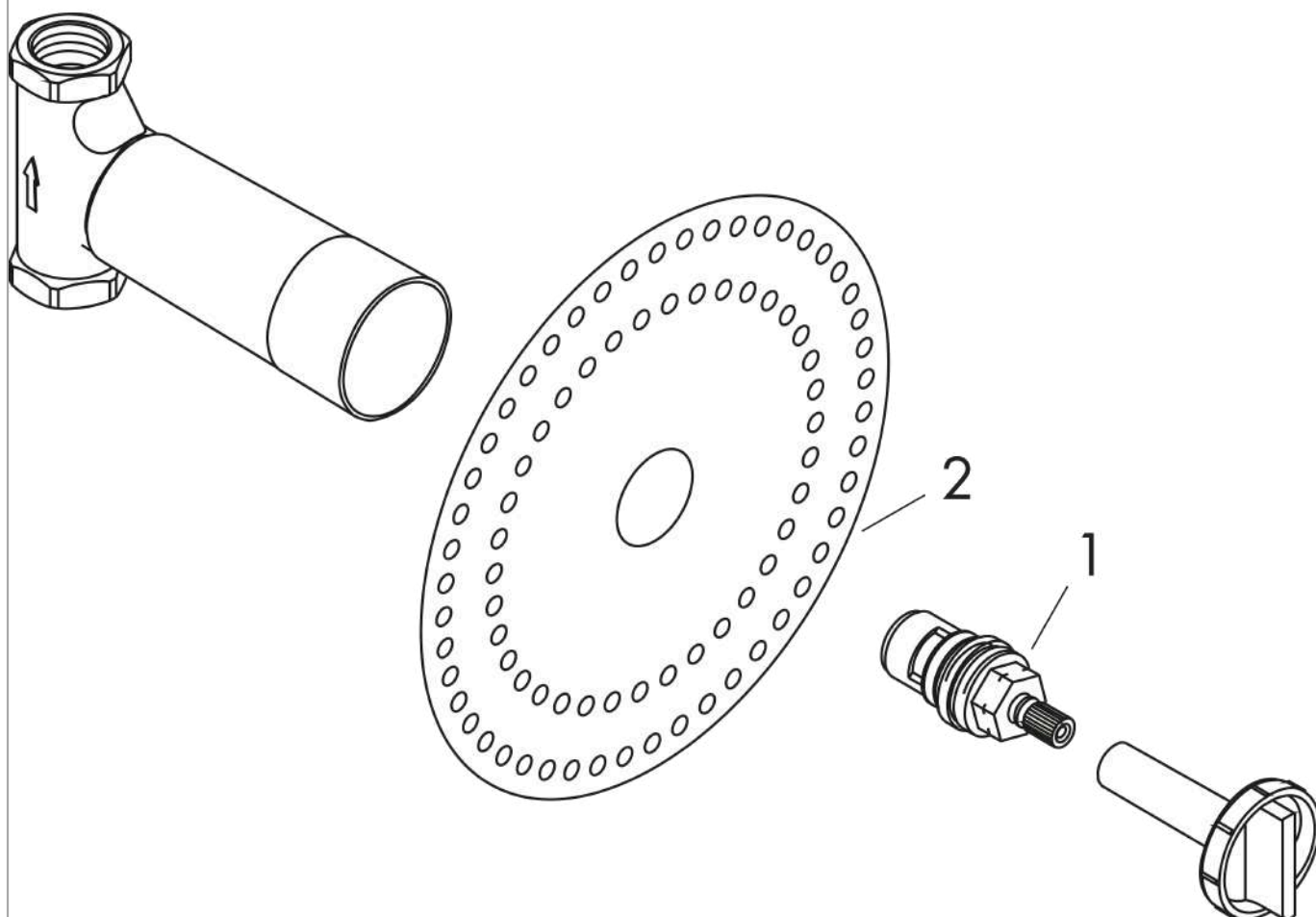


**Basic set 52 l/min for shut-off valve for concealed installation spindle**  
Surfaces: n.a. Article Number: 16973180



## Exploded Drawing

Year of production: >10/17



**Basic set 52 l/min for shut-off valve for concealed installation spindle**  
 Surfaces: n.a. Article Number: 16973180



## Spare part list

Year of production: >10/17

Pos.		Article Number	Price	PU
1	shut off unit with spindle 1/2"	94142000	€ 28,20	1
2	sealing foil	96492000	€ 8,45	1