

Basic set for 3-hole rim mounted single lever bath mixer
 Surfaces: n.a. Art. no. : 15487180



product features

- sBox for quiet, smooth and protected hose guidance
- Drilling diameter: 35 mm, 50 mm
- Clamping range: 0 - 30 mm
- Maximum pull-out length of hand shower: 1.45 m
- suitable for installation on bath rim
- Operating pressure: min. 1 bar/max. 10 bar
- Connection thread: 1/2"
- Connection hose length: 600 mm
- bath rim width at least 100 mm
- Drilling diameter on bath tub: two drilled holes Ø 50/51 mm and connection by sawing out required

Article Details

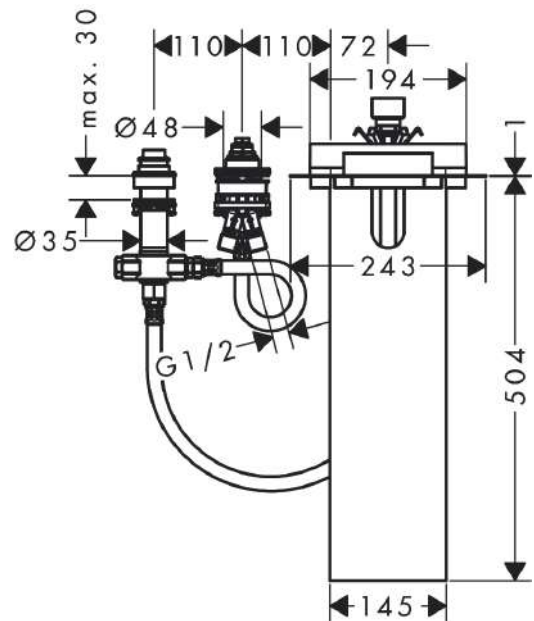
Price excl. VAT

£ 405.71

Product image



Scale drawing

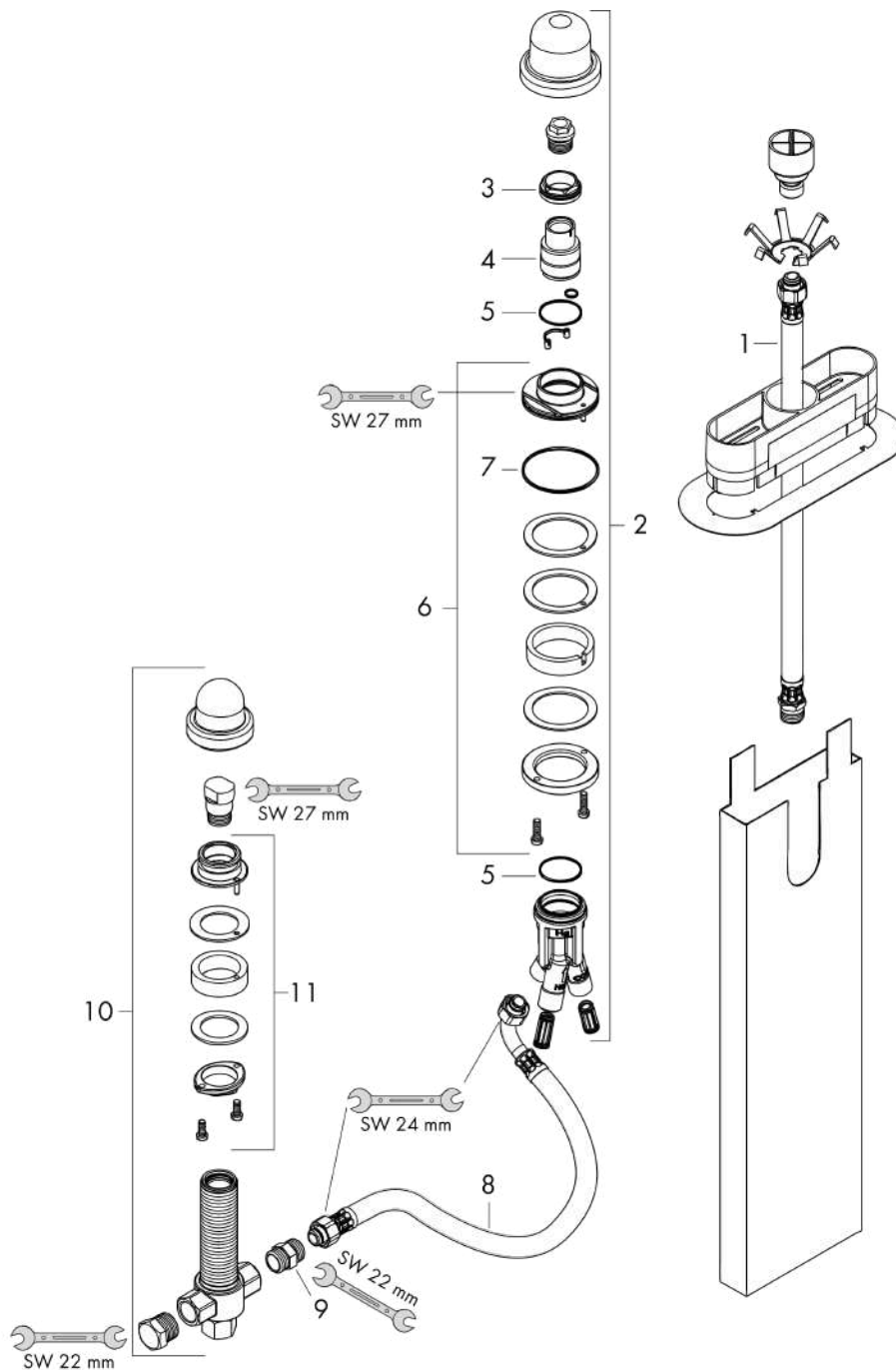


Basic set for 3-hole rim mounted single lever bath mixer
Surfaces: n.a. Art. no. : 15487180



Exploded Drawing

Year of production: >06/19



Basic set for 3-hole rim mounted single lever bath mixer

Surfaces: n.a. Art. no. : 15487180



Spare part list

Year of production: >06/19

| Pos. | | Art. no. | Price | PU |
|------|--|----------|-------|----|
| 1 | pressure hose | 96565000 | - | 1 |
| 2 | fixing set for 4 hole bath mixer spout | 96080000 | - | 1 |
| 3 | nut | 97209000 | - | 1 |
| 4 | O-ring 9x1,5 | 98117000 | - | 1 |
| 5 | O-ring 35x1,5 | 92114000 | - | 1 |
| 6 | fixing set | 95808000 | - | 1 |
| 7 | O-ring 62x2 | 92226000 | - | 1 |
| 8 | connection hose 800 mm G $\frac{1}{2}$ x G $\frac{1}{2}$ | 25963000 | - | 1 |
| 9 | connecting thread | 97719000 | - | 1 |
| 10 | stop valve cpl. | 95809000 | - | 1 |
| 11 | selector housing | 96125000 | - | 1 |