

Basic set for 4-hole rim mounted thermostatic bath mixer

Surfaces: Article Number: **15482180**



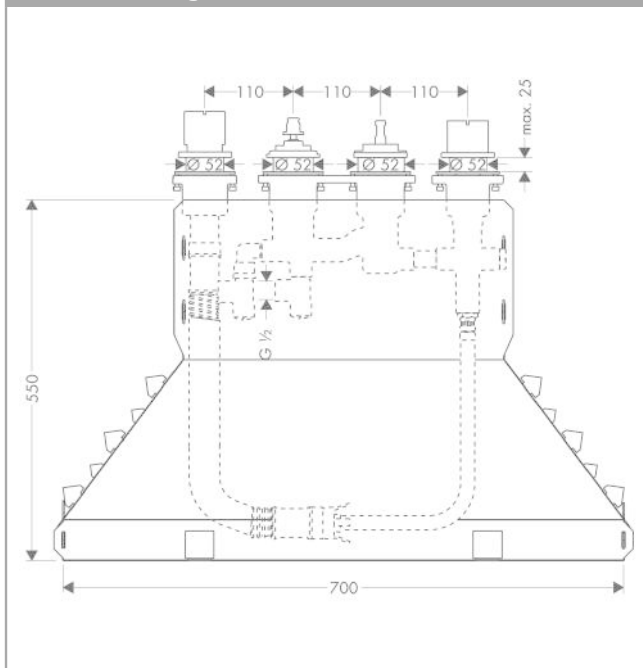
product features

- maximum pull-out length of hand shower: 1.10 m
- connection dimension: DN15

Product image



Scale drawing

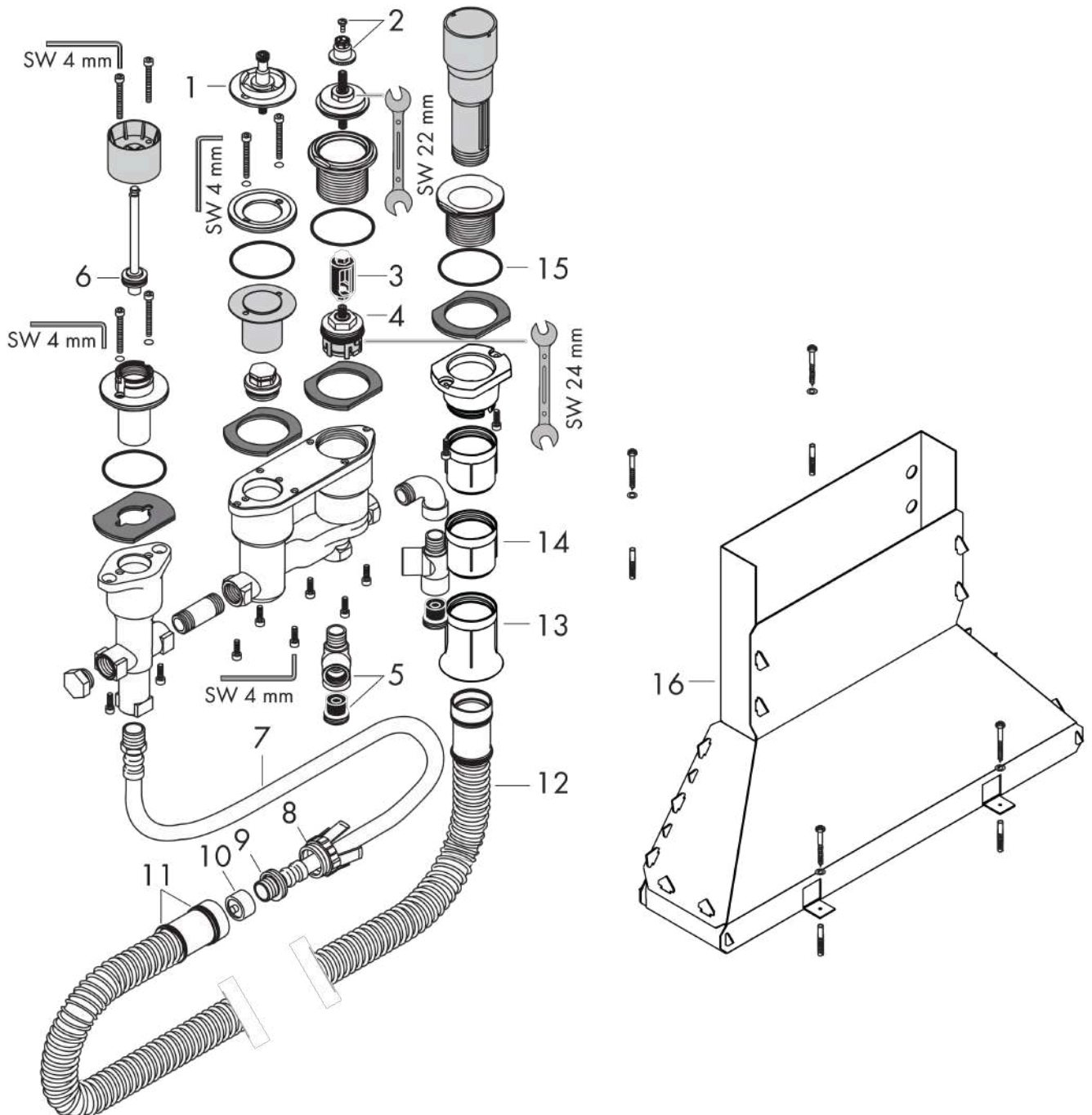


Basic set for 4-hole rim mounted thermostatic bath mixer
 Surfaces: Article Number: **15482180**



Exploded Drawing

Year of production: >10/17



Basic set for 4-hole rim mounted thermostatic bath mixer

Surfaces: Article Number: **15482180**



Spare part list

Year of production: >10/17

Pos.		Article Number	Price	PU
1	safety set for temperature control	96239000	€ 72,47	1
2	handle fixing set	94184000	€ 5,36	1
3	adapter for handle	97409000	€ 22,97	1
4	cartridge Duostop	96262000	€ 88,54	1
5	connection angel	97655000	€ 36,89	1
6	O-ring 20x2,5	92602000	€ 5,36	1
7	pressure hose	94174000	€ 58,67	1
8	expended nut for Secuflex	96074000	€ 8,69	1
9	O-ring 27x2,5	98149000	€ 3,33	1
10	plug	97568000	€ 8,69	1
11	O-ring 35x3	98435000	€ 3,33	1
12	Secuflex hose 2,25 m	94108000	€ 166,48	1
13	guide tube	98807000	€ 5,36	1
14	sleeve	98806000	€ 5,36	1
15	O-ring 58x3	98202000	€ 3,33	1
16	Secuflexbox	28389000	€ 58,67	1