

AXOR Starck Organic
Thermostat for concealed installation with shut-off/ diverter valve
 Surfaces: Article Number: **12716000**



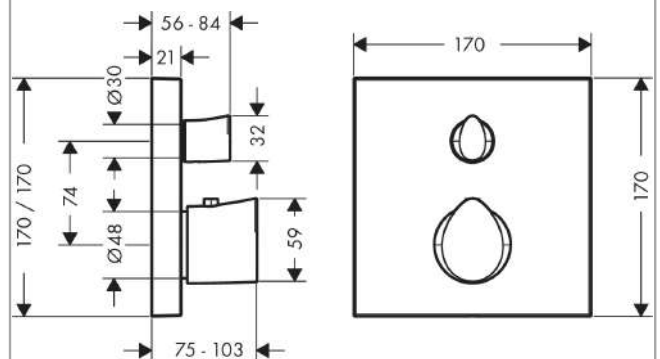
product features

- 2 functions
- thermostat cartridge, shut-off/ diverter valve
- maximum flow rate at 3 bar: 29 l/min
- flow rate upper outlet: 25 l/min
- flow rate lower outlet: 29 l/min
- min. operating pressure: 1 bar
- max. operating pressure: 10 bar
- safety stop at 40 °C
- temperature limitation adjustable
- non-return valve
- with silencer
- connection type: basic set

Product image



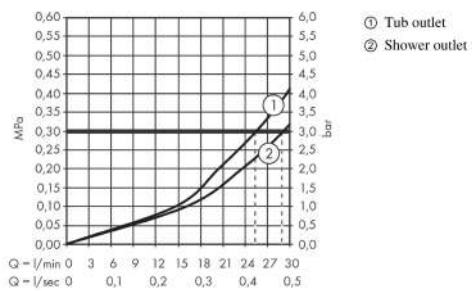
Scale drawing



AXOR Starck Organic
Thermostat for concealed installation with shut-off/ diverter valve
 Surfaces: Article Number: **12716000**



Flowchart

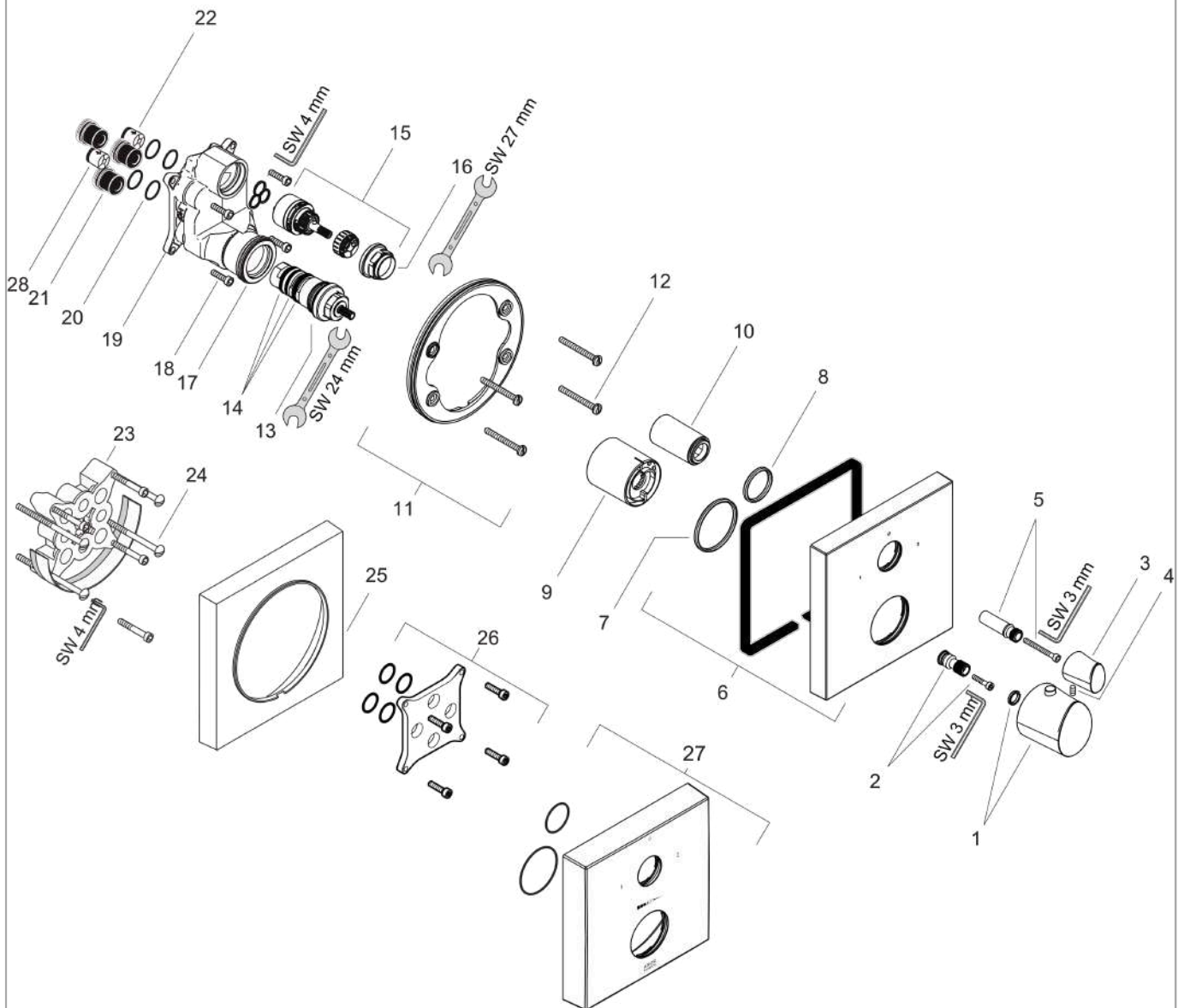


AXOR Starck Organic
Thermostat for concealed installation with shut-off/ diverter valve
 Surfaces: Article Number: **12716000**



Exploded Drawing

Year of production: >11/12



AXOR Starck Organic
Thermostat for concealed installation with shut-off/ diverter valve
 Surfaces: Article Number: **12716000**



Spare part list

Year of production: >11/12

Pos.		Article Number	PC	PU
1	handle for thermostat	98313000	15	1
2	adapter for handle	96435000	6	1
3	handle	98316000	14	1
4	hollow set screw M4x8	97669000	1	1
5	adapter for handle	95256000	7	1
6	escutcheon	98326000	17	1
7	O-Ring 48x3	95508000	1	1
8	O-ring 29x3	98371000	2	1
9	sleeve	96439000	9	1
10	sleeve	95253000	8	1
11	holder for escutcheon	98793000	9	1
12	set of fixing screws	96454000	3	1
13	thermostat cartridge	94282000	15	1
14	sealing set	95037000	10	1
15	shut off unit with selector	98283000	12	1
16	nut	95255000	6	1
17	O-ring 39x2	98158000	1	1
18	set of screws	96525000	3	1
19	installation unit cpl.	92592000	19	1
20	O-ring 16x2	98133000	1	1
21	noise reduction	94073000	7	1
22	set of non return valves DW 15	94074000	5	1
23	extension 25 mm	13595000	99	1
24	set of fixing screws	97747000	1	1
25	extension 22 mm	97407000	99	1
26	extension 10 mm for iBox universal with shut-off unit	92332000	15	1
27	escutcheon height = 33 mm (when wall is not deep enough).	14969000	99	1
28	non return valve (pressure-resistant up to 2 MPa)	92594000	5	1
a	concealed item	01800180	99	1
b	adapter for exchanged connections	93181000	18	1
c	non return valve with filter	92499000	5	1
d	fixation set	96615000	99	1
e	pushbutton	92848000	2	1

AXOR Starck Organic
Thermostat for concealed installation with shut-off/ diverter valve
Surfaces: Article Number: **12716000**



Spare part list

Year of production: >11/12

Pos.		Article Number	PC	PU
f	Grease	90920000	5	1