

**AXOR Starck Organic**  
**Thermostat HighFlow 120/120 for concealed installation**  
Surfaces: Article Number: **12712000**



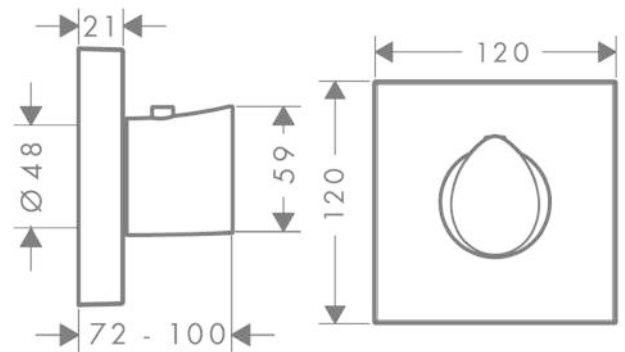
#### product features

- thermostat cartridge
- maximum flow rate at 3 bar: 59 l/min
- min. operating pressure: 1 bar
- max. operating pressure: 10 bar
- safety stop at 40 °C
- temperature limitation adjustable
- with silencer
- connection type: basic set

#### Product image



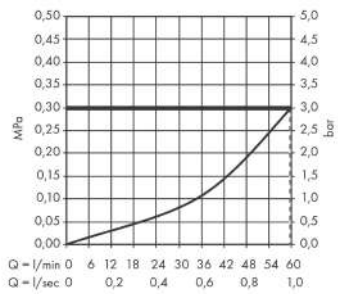
#### Scale drawing



**AXOR Starck Organic**  
**Thermostat HighFlow 120/120 for concealed installation**  
Surfaces: Article Number: **12712000**



## Flowchart

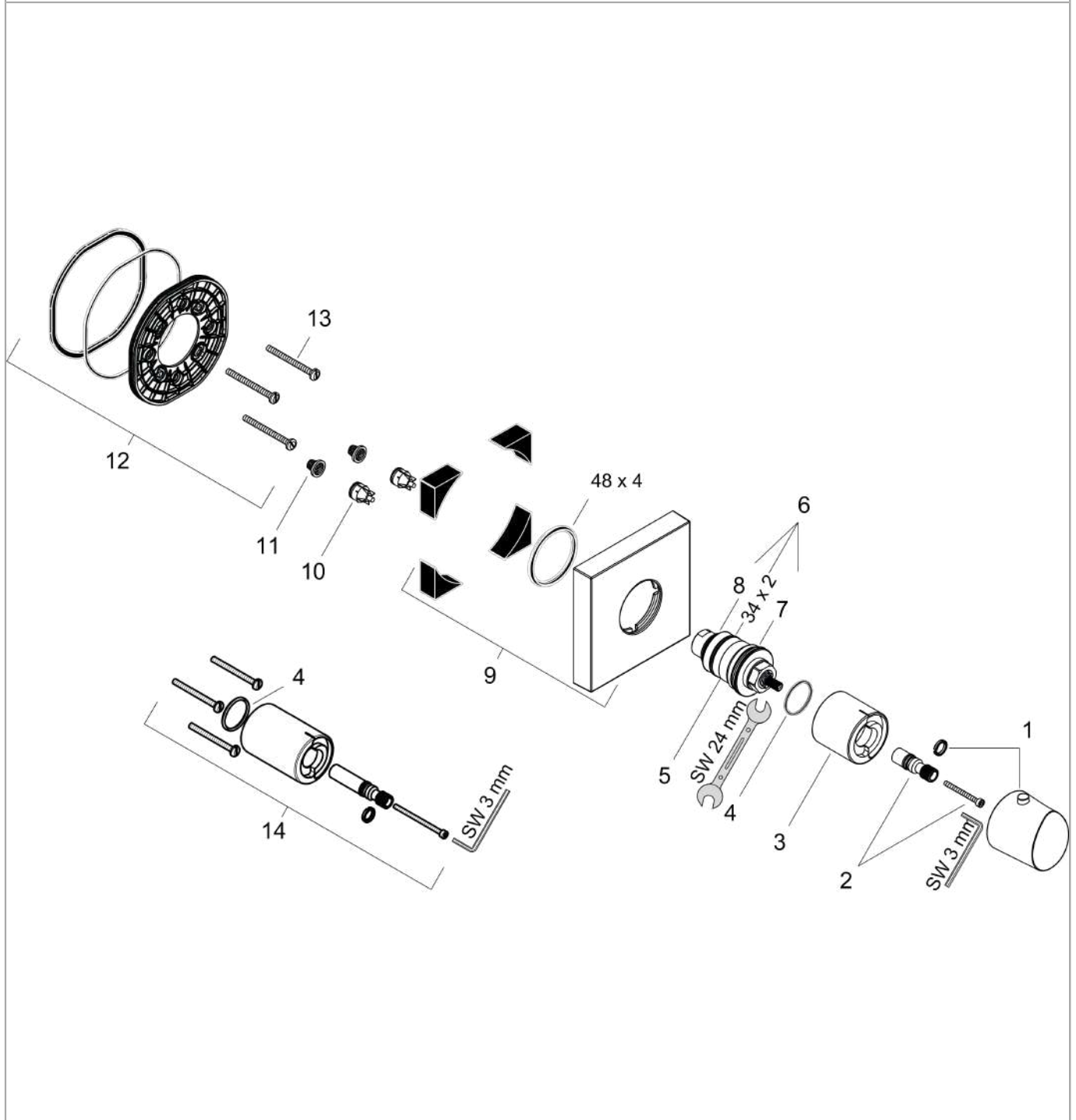


**AXOR Starck Organic**  
**Thermostat HighFlow 120/120 for concealed installation**  
 Surfaces: Article Number: 12712000



## Exploded Drawing

Year of production: >11/12



**AXOR Starck Organic**  
**Thermostat HighFlow 120/120 for concealed installation**  
 Surfaces: Article Number: **12712000**



## Spare part list

Year of production: >11/12

Pos.		Article Number	PC	PU
1	handle for thermostat	98313000	15	1
2	adapter for handle	98321000	8	1
3	sleeve	98320000	15	1
4	O-ring 28x2,5	98209000	1	1
5	thermostat cartridge	96633000	15	1
6	sealing set	96636000	10	1
7	O-ring 38x2,5	98198000	2	1
8	O-ring 26x2	98147000	1	1
9	escutcheon	95467000	16	1
10	set of non return valves DW 15	97350000	6	1
11	filter	97973000	5	1
12	sub plate	95450000	5	1
13	set of fixing screws	96454000	3	1
14	extension 25 mm	12790000	99	1