

AXOR Starck Organic
Thermostat HighFlow for concealed installation
Surfaces: Article Number: **12711000**



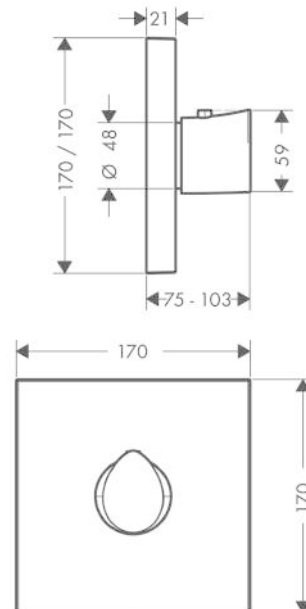
product features

- thermostat cartridge
- maximum flow rate at 3 bar: 59 l/min
- flow rate upper outlet: 42 l/min
- flow rate lower outlet: 42 l/min
- min. operating pressure: 1 bar
- max. operating pressure: 10 bar
- safety stop at 40 °C
- temperature limitation adjustable
- with silencer
- connection type: basic set

Product image



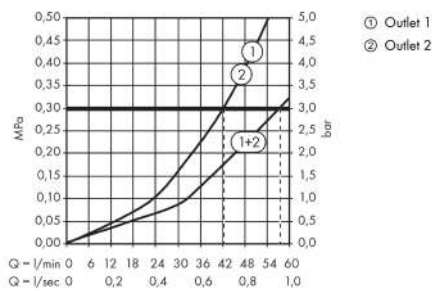
Scale drawing



AXOR Starck Organic
Thermostat HighFlow for concealed installation
 Surfaces: Article Number: **12711000**



Flowchart

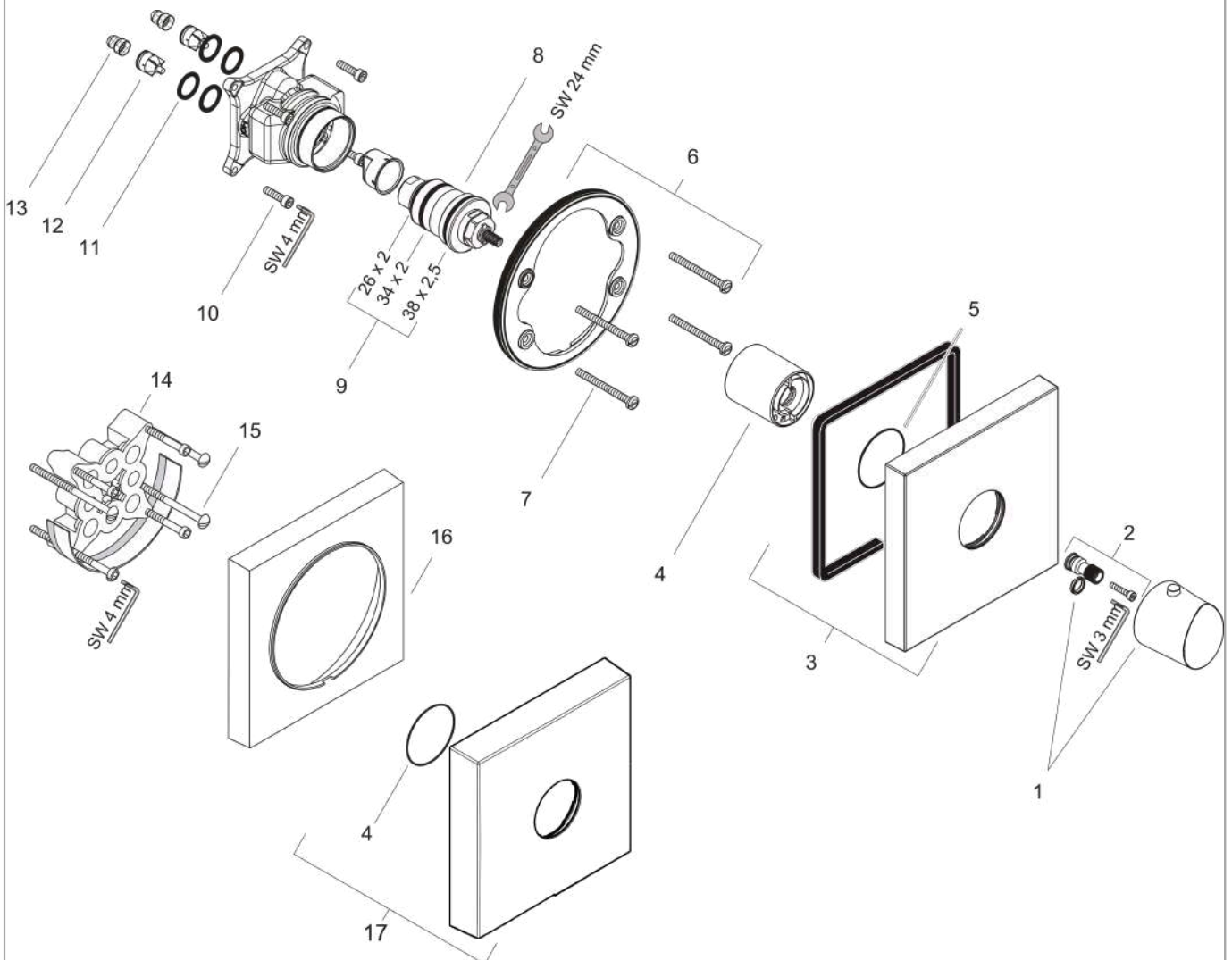


AXOR Starck Organic
Thermostat HighFlow for concealed installation
Surfaces: Article Number: **12711000**



Exploded Drawing

Year of production: >11/12



AXOR Starck Organic
Thermostat HighFlow for concealed installation
 Surfaces: Article Number: **12711000**



Spare part list

Year of production: >11/12

Pos.		Article Number	PC	PU
1	handle for thermostat	98313000	15	1
2	adapter for handle	96435000	6	1
3	escutcheon	98318000	17	1
4	sleeve	97439000	9	1
5	O-Ring 48x3	95508000	1	1
6	holder for escutcheon	98793000	9	1
7	set of fixing screws	96454000	3	1
8	thermostat cartridge	96633000	15	1
9	sealing set	96636000	10	1
10	set of screws	96525000	3	1
11	O-ring 16x2	98133000	1	1
12	set of non return valves DW 15	97350000	6	1
13	filter	98513000	1	1
14	extension 25 mm	13595000	99	1
15	set of fixing screws	97747000	1	1
16	extension 22 mm	97407000	99	1
17	escutcheon height = 33 mm (when wall is not deep enough).	14966000	99	1