

**AXOR Starck Organic**  
**Shower thermostat for exposed installation**  
 Surfaces:     Article Number: **12602310**



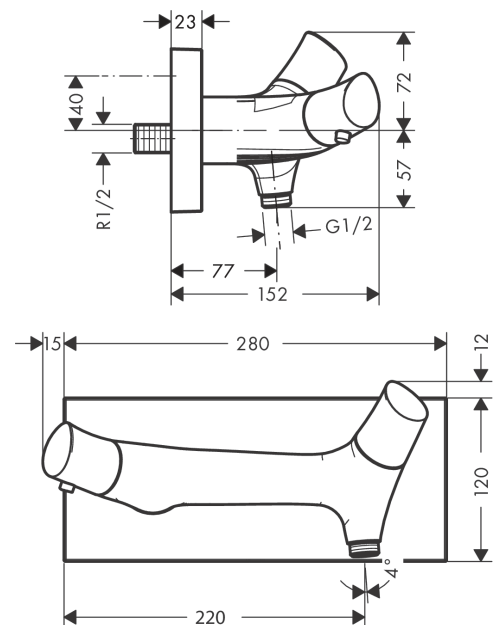
**product features**

- 1 function
- thermostat cartridge
- maximum flow rate at 3 bar: 17 l/min
- min. operating pressure: 1 bar
- max. operating pressure: 10 bar
- safety stop at 40 °C
- temperature limitation adjustable
- non-return valve
- with silencer
- connection type: s-shaped connections
- centre distance: 150 ± 12 mm
- connection dimension: DN15

**Product image**



**Scale drawing**



**AXOR Starck Organic**  
**Shower thermostat for exposed installation**  
 Surfaces: Article Number: **12602310**



## Flowchart

