

AXOR Starck Organic
Shower thermostat for exposed installation
 Surfaces: Article Number: **12602000**



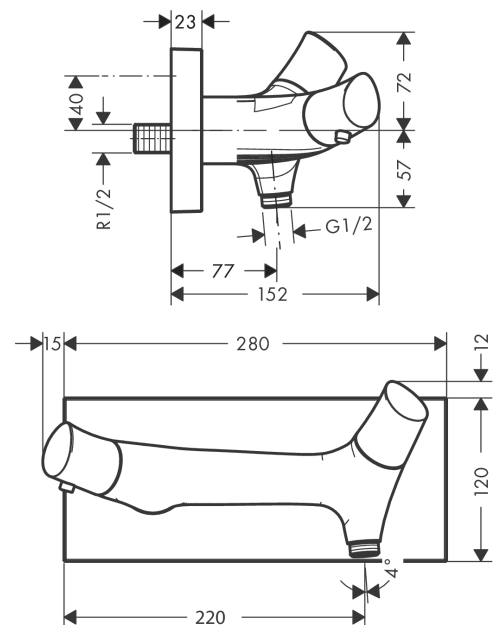
product features

- 1 function
- thermostat cartridge
- maximum flow rate at 3 bar: 17 l/min
- min. operating pressure: 1 bar
- max. operating pressure: 10 bar
- safety stop at 40 °C
- temperature limitation adjustable
- non-return valve
- with silencer
- connection type: s-shaped connections
- centre distance: 150 ± 12 mm
- connection dimension: DN15

Product image



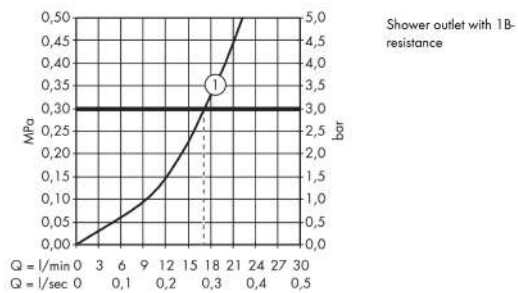
Scale drawing



AXOR Starck Organic
Shower thermostat for exposed installation
Surfaces: Article Number: **12602000**



Flowchart

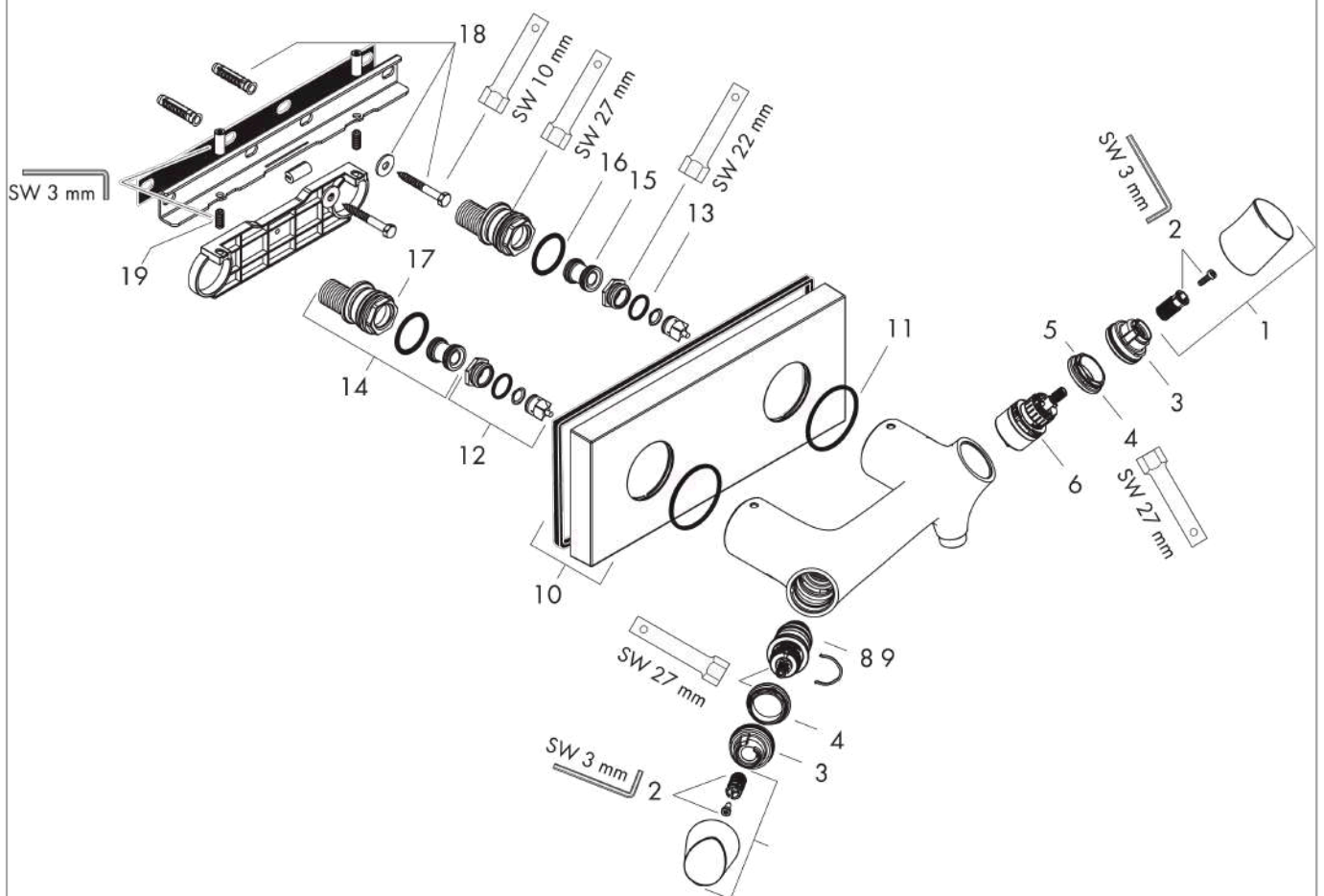


AXOR Starck Organic
Shower thermostat for exposed installation
Surfaces: Article Number: **12602000**



Exploded Drawing

Year of production: >11/12



AXOR Starck Organic
Shower thermostat for exposed installation
 Surfaces: Article Number: **12602000**



Spare part list

Year of production: >11/12

Pos.		Article Number	PC	PU
1	handle	98333000	14	1
2	handle fixing set	98290000	3	1
3	safety set	98289000	5	1
4	nut	98913000	6	1
5	O-ring 26x1,5	98390000	1	1
6	shut off unit	95800000	11	1
7	handle for thermostat	98334000	15	1
8	thermostat cartridge	98282000	14	1
9	cartridge for exchanged connections	92373000	18	1
10	escutcheon	98332000	19	1
11	O-Ring 50x2,5	95512000	1	1
12	non return valve (pressure-resistant up to 2 MPa)	95773000	8	1
13	O-ring 17x2	98199000	1	1
14	set of S-unions	95772000	13	1
15	noise reduction	96429000	2	1
16	O-ring 29x3	98371000	2	1
17	adapter for ball S - union	02026000	99	1
18	mounting kit	95430000	9	1
19	hollow set screw M6x16 including o-ring 29x3	98372000	3	1