

AXOR Starck Organic
4-hole tile mounted thermostatic bath mixer
Surfaces: Article Number: **12426000**



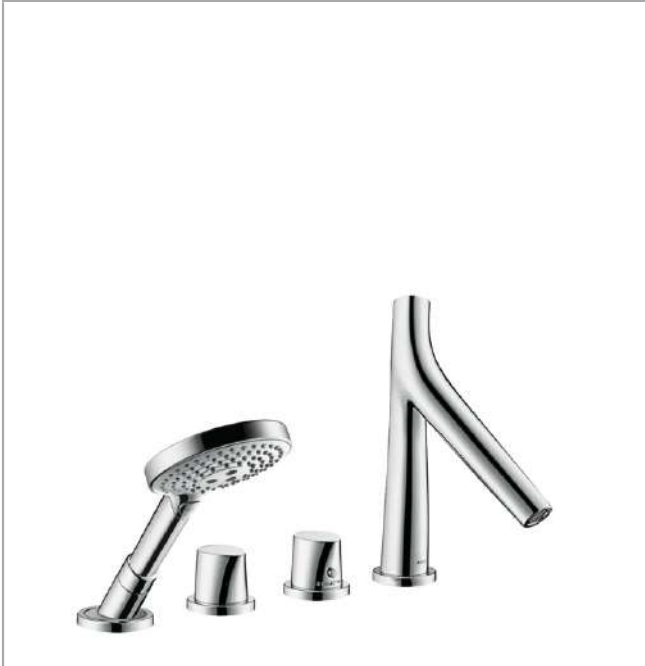
product features

- consists of: 4-hole tile mounted bath mixer, hand shower, Secuflex hose set
- projection 190 mm
- 2 functions
- spray type mixer: laminar spray
- spray type hand shower: Rain, RainAir, WhirlAir
- maximum pull-out length of hand shower: 1.10 m
- maximum flow rate at 3 bar: 17 l/min
- flow rate for bath spout at 3 bar: 17 l/min
- flow rate of hand shower at 3 bar: 16 l/min
- min. operating pressure: 1 bar
- max. operating pressure: 10 bar
- thermostat cartridge
- safety stop at 40 °C
- temperature limitation adjustable
- non-return valve
- with automatic resetting
- with silencer
- connection type: basic set
- connection dimension: DN15

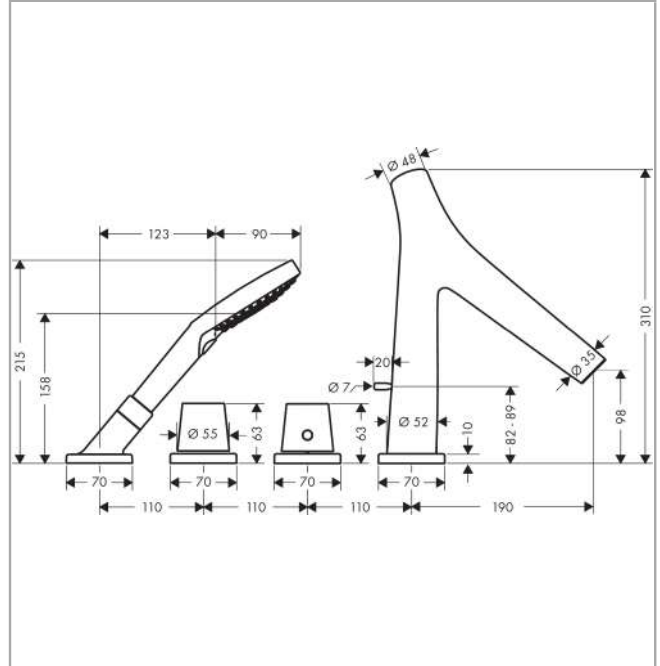
AXOR Starck Organic
4-hole tile mounted thermostatic bath mixer
 Surfaces: Article Number: **12426000**



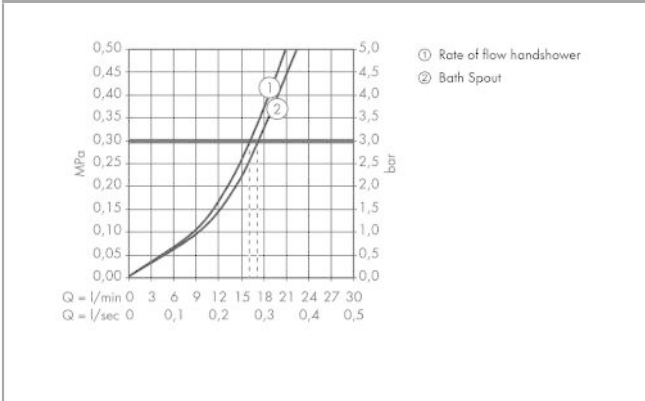
Product image



Scale drawing



Flowchart

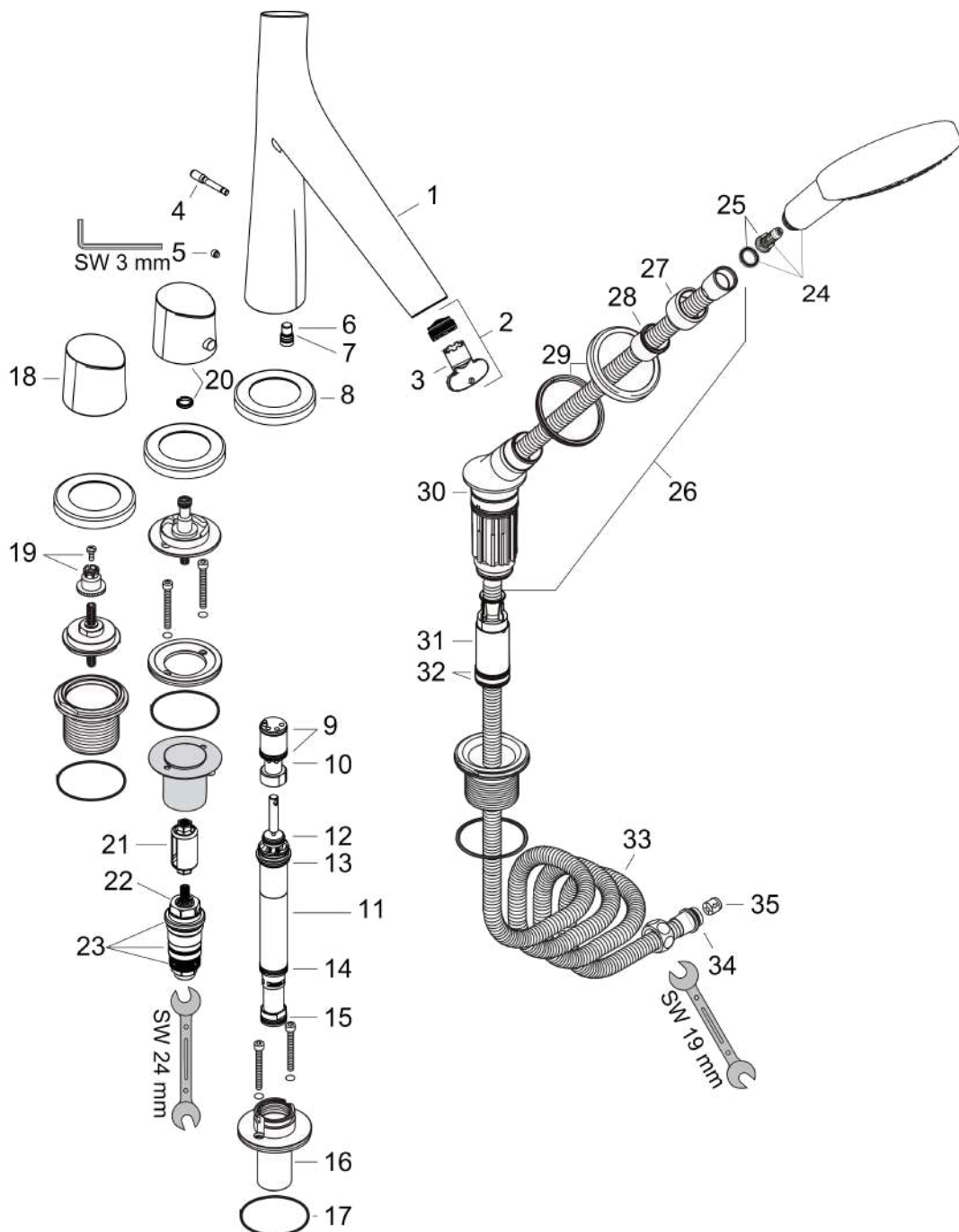


AXOR Starck Organic
4-hole tile mounted thermostatic bath mixer
 Surfaces: Article Number: **12426000**



Exploded Drawing

Year of production: >01/17



AXOR Starck Organic
4-hole tile mounted thermostatic bath mixer
 Surfaces: Article Number: **12426000**



Spare part list

Year of production: >01/17

Pos.		Article Number	PC	PU
1	spout cpl.	98450000	22	1
2	aerator laminar M24x1 C	98337000	8	1
3	special tool	95158000	2	1
4	diverter knob	95754000	10	1
5	hollow set screw M6x10 DIN 916	96029000	1	1
6	plug	92313000	3	1
7	O-ring 7x1,5	98422000	1	1
8	escutcheon Ø 70 mm	96236000	9	1
9	O-ring 21x1,5	98219000	1	1
10	guide tube	92214000	10	1
11	selector	96777000	13	1
12	O-ring 15x2,5	98131000	1	1
13	O-Ring 23x2,5	98183000	1	1
14	O-ring 20x2,5	92602000	2	1
15	O-ring 18x2,5	98139000	1	1
16	selector housing	97225000	12	1
17	O-ring 58x3	98202000	1	1
18	handle	98312000	15	1
19	handle fixing set	94184000	2	1
20	handle for thermostat	92120000	16	1
21	adapter for handle	97409000	7	1
22	thermostat cartridge	94282000	15	1
23	sealing set	95037000	10	1
24	handshower	26050000	99	1
25	filter insert	97708000	2	1
26	shower holder, assy	95996000	15	1
27	nut	97584000	5	1
28	insert for shower holder	96942000	4	1
29	escutcheon for shower holder	95753000	11	1
30	O-ring 38x2,5	98198000	2	1
31	hose brake	98656000	6	1
32	O-Ring 28x2	98194000	1	1
33	shower hose 2,00 m	94148000	12	1
34	O-ring 11x2	98127000	1	1

AXOR Starck Organic
4-hole tile mounted thermostatic bath mixer
Surfaces: Article Number: **12426000**



Spare part list

Year of production: >01/17

Pos.		Article Number	PC	PU
35	set of non return valves DW 15	94074000	5	1
a	concealed item	15483180	99	1