

AXOR Starck Organic Bath spout

Surfaces: Article Number: **12417000**



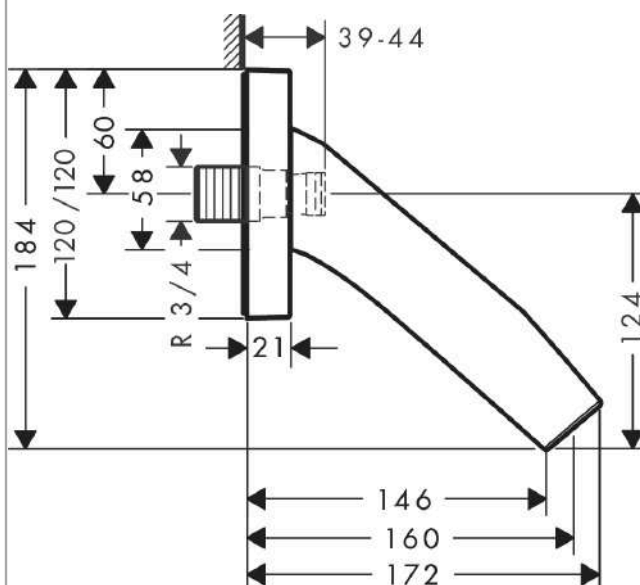
product features

- 1 function
- projection 160 mm
- maximum flow rate at 3 bar: 27 l/min
- connection dimension: device connection DN20
- spray type: laminar spray

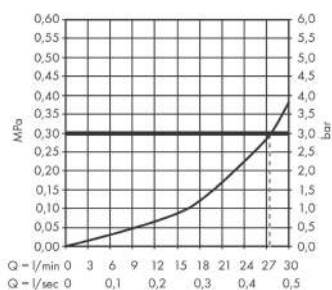
Product image



Scale drawing



Flowchart



The consumption was measured in combination with the appropriate fittings (thermosta/mixer/ in-wall valve) to reflect actual application in practice.

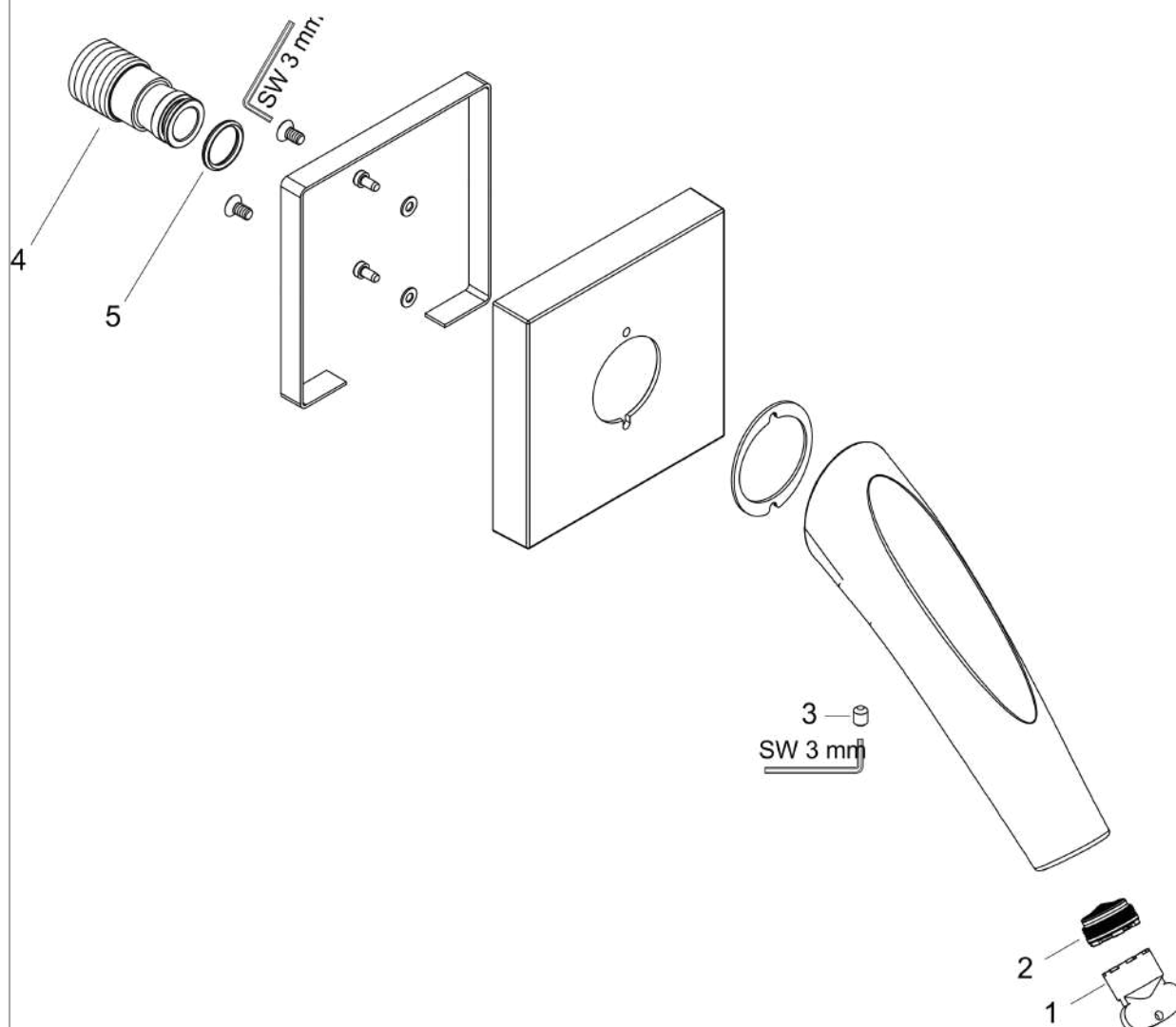
**AXOR Starck Organic
Bath spout**

Surfaces: Article Number: **12417000**



Exploded Drawing

Year of production: >11/12



AXOR Starck Organic
Bath spout
 Surfaces: Article Number: **12417000**



Spare part list

Year of production: >11/12

Pos.		Article Number	PC	PU
1	special tool	95158000	2	1
2	aerator laminar M24x1 C	98337000	8	1
3	hollow set screw M6x8	97810000	1	1
4	connecting thread G $\frac{3}{4}$	96472000	6	1
5	O-ring 16x2,5	98134000	1	1
a	connecting thread G $\frac{1}{2}$	97228000	10	1