

AXOR Starck V
Single lever basin mixer 140 with glass spout and waste set
Surfaces: Article Number: **12112450**



product features

- consists of: single lever basin mixer, waste set
- ComfortZone 140
- projection: 125 mm
- spout height: 141 mm
- swivel range adjustable in 3 steps 95°, 120° or 360°
- spray type: laminar spray
- EasyClick connection between body and spout with SafetyStop-function
- Spout is dishwasher safe
- material spout: crystal glass
- maximum flow rate at 3 bar: 4 l/min
- ceramic cartridge
- non-closing waste set
- connection type: G 3/8 connections
- connection dimension: DN15
- handle can be positioned on the right or left
- handle position on the side: bottom-side at the base body (not suitable for wash bowls)
- not recommended for the public and semi-public area

Technology



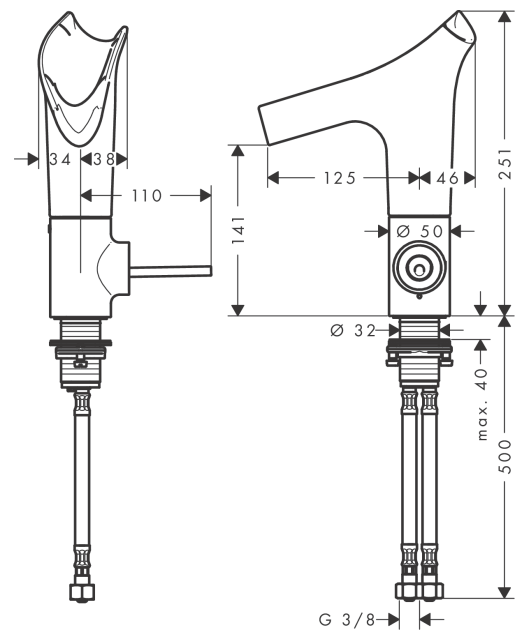
AXOR Starck V
Single lever basin mixer 140 with glass spout and waste set
 Surfaces: Article Number: **12112450**



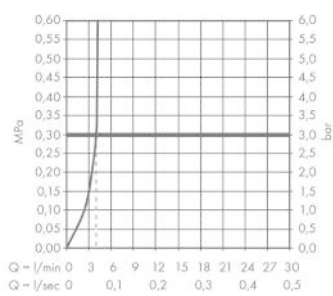
Product image



Scale drawing



Flowchart

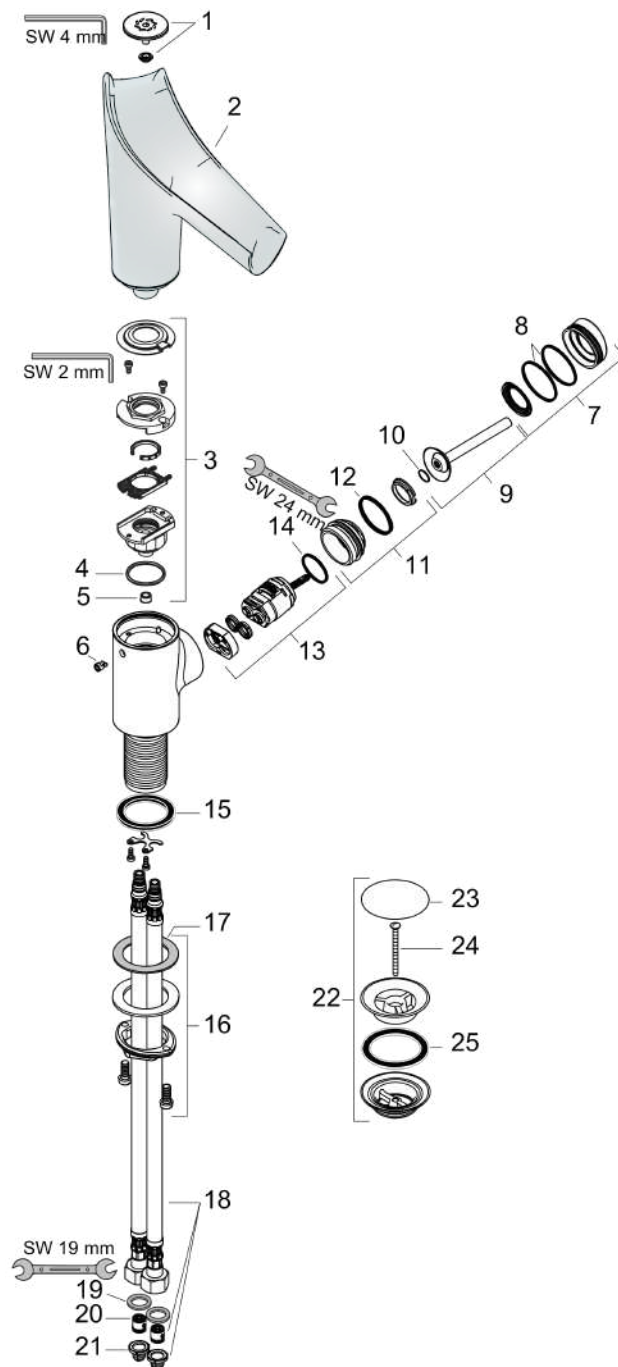


AXOR Starck V
Single lever basin mixer 140 with glass spout and waste set
 Surfaces: Article Number: **12112450**



Exploded Drawing

Year of production: >07/16



AXOR Starck V
Single lever basin mixer 140 with glass spout and waste set
 Surfaces: Article Number: **12112450**



Spare part list

Year of production: >07/16

| Pos. | | Article Number | PC | PU |
|------|---|----------------|----|----|
| 1 | spray head cpl. | 92486000 | 15 | 1 |
| 2 | spout cpl. | 92487000 | 21 | 1 |
| 3 | service unit | 92488000 | 16 | 1 |
| 4 | O-ring 26x2 | 98147000 | 1 | 1 |
| 5 | flow limiter (4 l/min) | 92491000 | 4 | 1 |
| 6 | pushbutton | 92492000 | 9 | 1 |
| 7 | escutcheon | 92489450 | 16 | 1 |
| 8 | O-ring 35x1,5 | 92114000 | 2 | 1 |
| 9 | handle | 92490450 | 15 | 1 |
| 10 | O-ring 9x2 | 98119000 | 1 | 1 |
| 11 | nut | 95667000 | 7 | 1 |
| 12 | O-Ring 30x2 | 98186000 | 1 | 1 |
| 13 | cartridge, assy | 96339000 | 12 | 1 |
| 14 | O-ring 21,95x1,78 | 95169000 | 1 | 1 |
| 15 | flat seal | 98749000 | 2 | 1 |
| 16 | fixing set (Ø 32) | 13961000 | 7 | 1 |
| 17 | lever collar | 97548000 | 1 | 1 |
| 18 | connection hose 450 mm M8x0,75 G3/8 | 98809000 | 10 | 1 |
| 19 | sealing set | 95581000 | 2 | 1 |
| 20 | non return valve DW 10 | 96456000 | 3 | 1 |
| 21 | filter packing | 95291000 | 4 | 1 |
| 22 | waste | 50001000 | 99 | 1 |
| 23 | cover | 97141000 | 6 | 1 |
| 24 | screw | 98000000 | 2 | 1 |
| 25 | form ring | 96361000 | 3 | 1 |
| a | fixation extension 35 mm | 13898000 | 12 | 1 |
| b | spray body (recommended at operating pressure < 0,15 MPa) | 92341000 | 14 | 1 |